



EN29LV160A

16 Megabit (2048K x 8-bit / 1024K x 16-bit) Flash Memory

Boot Sector Flash Memory, CMOS 3.0 Volt-only

FEATURES

- 3.0V, single power supply operation
- Minimizes system level power requirements

- High performance
- Access times as fast as 70 ns

- Low power consumption (typical values at 5 MHz)
- 9 mA typical active read current
- 20 mA typical program/erase current
- Less than 1 μ A standby current

- Flexible Sector Architecture:
- One 16-Kbyte, two 8-Kbyte, one 32-Kbyte, and thirty-one 64-Kbyte sectors (byte mode)
- One 8-Kword, two 4-Kword, one 16-Kword and thirty-one 32-Kword sectors (word mode)

- Sector protection :
- Hardware locking of sectors to prevent program or erase operations within individual sectors
- Additionally, temporary Sector Group Unprotect allows code changes in previously locked sectors.

- High performance program/erase speed
- Byte/Word program time: 8 μ s typical

- Sector erase time: 500ms typical
- Chip erase time: 17.5s typical

- JEDEC Standard program and erase commands
- JEDEC standard DATA# polling and toggle bits feature
- Single Sector and Chip Erase
- Sector Unprotect Mode
- Embedded Erase and Program Algorithms
- Erase Suspend / Resume modes: Read and program another Sector during Erase Suspend Mode
- Triple-metal double-poly triple-well CMOS Flash Technology
- Low Vcc write inhibit \leq 2.5V
- minimum 1,000K program/erase endurance cycle
- Package Options
- 48-pin TSOP (Type 1)
- 48 ball 6mm x 8mm FBGA

- Commercial and Industrial Temperature Range

GENERAL DESCRIPTION

The EN29LV160A is a 16-Megabit, electrically erasable, read/write non-volatile flash memory, organized as 2,097,152 bytes or 1,048,576 words. Any byte can be programmed typically in 8 μ s. The EN29LV160A features 3.0V voltage read and write operation, with access times as fast as 70ns to eliminate the need for WAIT states in high-performance microprocessor systems.

The EN29LV160A has separate Output Enable (OE#), Chip Enable (CE#), and Write Enable (WE#) controls, which eliminate bus contention issues. This device is designed to allow either single Sector or full chip erase operation, where each Sector can be individually protected against program/erase operations or temporarily unprotected to erase or program. The device can sustain a minimum of 1,000K program/erase cycles on each Sector.



CONNECTION DIAGRAMS

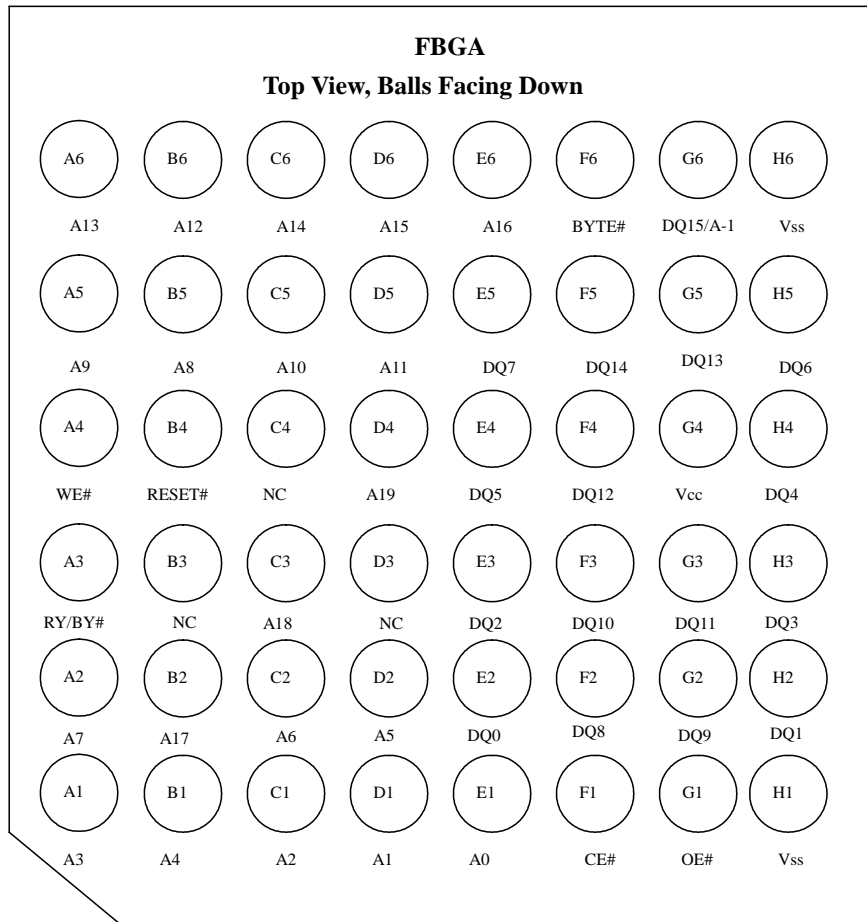
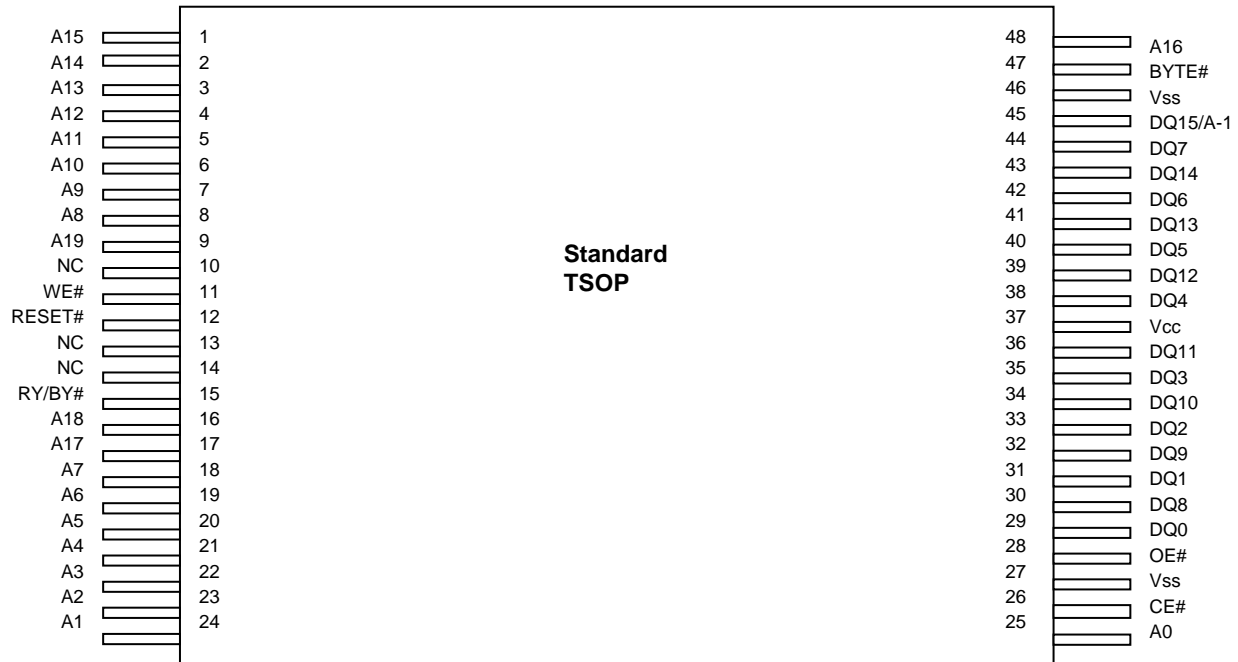




TABLE 1. PIN DESCRIPTION

| Pin Name | Function |
|------------|---|
| A0-A19 | 20 Addresses |
| DQ0-DQ14 | 15 Data Inputs/Outputs |
| DQ15 / A-1 | DQ15 (data input/output, word mode), A-1 (LSB address input, byte mode) |
| CE# | Chip Enable |
| OE# | Output Enable |
| RESET# | Hardware Reset Pin |
| RY/BY# | Ready/Busy Output |
| WE# | Write Enable |
| Vcc | Supply Voltage (2.7-3.6V) |
| Vss | Ground |
| NC | Not Connected to anything |
| BYTE# | Byte/Word Mode |

FIGURE 1. LOGIC DIAGRAM

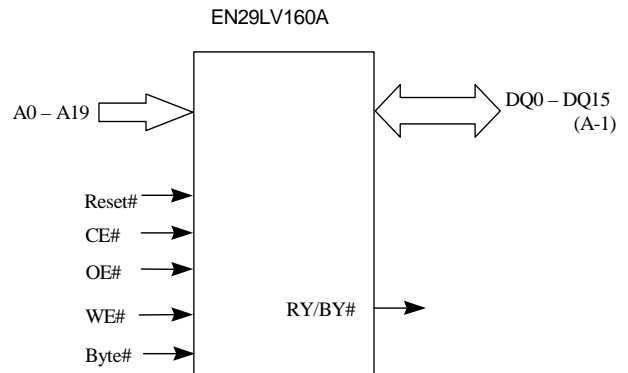




Table 2. Top Boot Sector Address Tables (EN29LV160AT)

| Sector | A19 | A18 | A17 | A16 | A15 | A14 | A13 | A12 | Sector Size (Kbytes/ Kwords) | Address Range (in hexadecimal) | |
|--------|-----|-----|-----|-----|-----|-----|-----|-----|------------------------------------|--------------------------------|--------------------|
| | | | | | | | | | | Byte mode (x8) | Word Mode (x16) |
| SA0 | 0 | 0 | 0 | 0 | 0 | X | X | X | 62/32 | 000000–00FFFF | 00000–07FFF |
| SA1 | 0 | 0 | 0 | 0 | 1 | X | X | X | 64/32 | 010000–01FFFF | 08000–0FFFF |
| SA2 | 0 | 0 | 0 | 1 | 0 | X | X | X | 64/32 | 020000–02FFFF | 10000–17FFF |
| SA3 | 0 | 0 | 0 | 1 | 1 | X | X | X | 64/32 | 030000–03FFFF | 18000–1FFFF |
| SA4 | 0 | 0 | 1 | 0 | 0 | X | X | X | 64/32 | 040000–04FFFF | 20000–27FFF |
| SA5 | 0 | 0 | 1 | 0 | 1 | X | X | X | 64/32 | 050000–05FFFF | 28000–2FFFF |
| SA6 | 0 | 0 | 1 | 1 | 0 | X | X | X | 64/32 | 060000–06FFFF | 30000–37FFF |
| SA7 | 0 | 0 | 1 | 1 | 1 | X | X | X | 64/32 | 070000–07FFFF | 38000–3FFFF |
| SA8 | 0 | 1 | 0 | 0 | 0 | X | X | X | 64/32 | 080000–08FFFF | 40000–47FFF |
| SA9 | 0 | 1 | 0 | 0 | 1 | X | X | X | 64/32 | 090000–09FFFF | 48000–4FFFF |
| SA10 | 0 | 1 | 0 | 1 | 0 | X | X | X | 64/32 | 0A0000–0AFFFF | 50000–57FFF |
| SA11 | 0 | 1 | 0 | 1 | 1 | X | X | X | 64/32 | 0B0000–0BFFFF | 58000–5FFFF |
| SA12 | 0 | 1 | 1 | 0 | 0 | X | X | X | 64/32 | 0C0000–0CFFFF | 60000–67FFF |
| SA13 | 0 | 1 | 1 | 0 | 1 | X | X | X | 64/32 | 0D0000–0DFFFF | 68000–6FFFF |
| SA14 | 0 | 1 | 1 | 1 | 0 | X | X | X | 64/32 | 0E0000–0EFFFF | 70000–77FFF |
| SA15 | 0 | 1 | 1 | 1 | 1 | X | X | X | 64/32 | 0F0000–0FFFFF | 78000–7FFFF |
| SA16 | 1 | 0 | 0 | 0 | 0 | X | X | X | 64/32 | 100000–10FFFF | 80000–87FFF |
| SA17 | 1 | 0 | 0 | 0 | 1 | X | X | X | 64/32 | 110000–11FFFF | 88000–8FFFF |
| SA18 | 1 | 0 | 0 | 1 | 0 | X | X | X | 64/32 | 120000–12FFFF | 90000–97FFF |
| SA19 | 1 | 0 | 0 | 1 | 1 | X | X | X | 64/32 | 130000–13FFFF | 98000–9FFFF |
| SA20 | 1 | 0 | 1 | 0 | 0 | X | X | X | 64/32 | 140000–14FFFF | A0000–A7FFF |
| SA21 | 1 | 0 | 1 | 0 | 1 | X | X | X | 64/32 | 150000–15FFFF | A8000–AFFFF |
| SA22 | 1 | 0 | 1 | 1 | 0 | X | X | X | 64/32 | 160000–16FFFF | B0000–B7FFF |
| SA23 | 1 | 0 | 1 | 1 | 1 | X | X | X | 64/32 | 170000–17FFFF | B8000–BFFFF |
| SA24 | 1 | 1 | 0 | 0 | 0 | X | X | X | 64/32 | 180000–18FFFF | C0000–C7FFF |
| SA25 | 1 | 1 | 0 | 0 | 1 | X | X | X | 64/32 | 190000–19FFFF | C8000–CFFFF |
| SA26 | 1 | 1 | 0 | 1 | 0 | X | X | X | 64/32 | 1A0000–1AFFFF | D0000–D7FFF |
| SA27 | 1 | 1 | 0 | 1 | 1 | X | X | X | 64/32 | 1B0000–1BFFFF | D8000–DFFFF |
| SA28 | 1 | 1 | 1 | 0 | 0 | X | X | X | 64/32 | 1C0000–1CFFFF | E0000–E7FFF |
| SA29 | 1 | 1 | 1 | 0 | 1 | X | X | X | 64/32 | 1D0000–1DFFFF | E8000–EFFFF |
| SA30 | 1 | 1 | 1 | 1 | 0 | X | X | X | 64/32 | 1E0000–1EFFFF | F0000–F7FFF |
| SA31 | 1 | 1 | 1 | 1 | 1 | 0 | X | X | 32/16 | 1F0000–1F7FFF | F8000–FBFFF |
| SA32 | 1 | 1 | 1 | 1 | 1 | 1 | 0 | 0 | 8/4 | 1F8000–1F9FFF | FC000–FCFFF |
| SA33 | 1 | 1 | 1 | 1 | 1 | 1 | 0 | 1 | 8/4 | 1FA000–1FBFFF | FD000–FDFFF |
| SA34 | 1 | 1 | 1 | 1 | 1 | 1 | 1 | X | 16/8 | 1FC000–1FFFFF | FE000–FFFFF |



Table 3. Bottom Boot Sector Address Tables (EN29LV160AB)

| Sector | A19 | A18 | A17 | A16 | A15 | A14 | A13 | A12 | Sector Size (Kbytes/ Kwords) | Address Range (in hexadecimal) | |
|--------|-----|-----|-----|-----|-----|-----|-----|-----|------------------------------------|--------------------------------|--------------------|
| | | | | | | | | | | Byte mode (x8) | Word Mode (x16) |
| SA0 | 0 | 0 | 0 | 0 | 0 | 0 | 0 | X | 16/8 | 000000–003FFF | 00000–01FFF |
| SA1 | 0 | 0 | 0 | 0 | 0 | 0 | 1 | 0 | 8/4 | 004000–005FFF | 02000–02FFF |
| SA2 | 0 | 0 | 0 | 0 | 0 | 0 | 1 | 1 | 8/4 | 006000–007FFF | 03000–03FFF |
| SA3 | 0 | 0 | 0 | 0 | 0 | 1 | X | X | 32/16 | 008000–00FFFF | 04000–07FFF |
| SA4 | 0 | 0 | 0 | 0 | 1 | X | X | X | 64/32 | 010000–01FFFF | 08000–0FFFF |
| SA5 | 0 | 0 | 0 | 1 | 0 | X | X | X | 64/32 | 020000–02FFFF | 10000–17FFF |
| SA6 | 0 | 0 | 0 | 1 | 1 | X | X | X | 64/32 | 030000–03FFFF | 18000–1FFFF |
| SA7 | 0 | 0 | 1 | 0 | 0 | X | X | X | 64/32 | 040000–04FFFF | 20000–27FFF |
| SA8 | 0 | 0 | 1 | 0 | 1 | X | X | X | 64/32 | 050000–05FFFF | 28000–2FFFF |
| SA9 | 0 | 0 | 1 | 1 | 0 | X | X | X | 64/32 | 060000–06FFFF | 30000–37FFF |
| SA10 | 0 | 0 | 1 | 1 | 1 | X | X | X | 64/32 | 070000–07FFFF | 38000–3FFFF |
| SA11 | 0 | 1 | 0 | 0 | 0 | X | X | X | 64/32 | 080000–08FFFF | 40000–47FFF |
| SA12 | 0 | 1 | 0 | 0 | 1 | X | X | X | 64/32 | 090000–09FFFF | 48000–4FFFF |
| SA13 | 0 | 1 | 0 | 1 | 0 | X | X | X | 64/32 | 0A0000–0AFFFF | 50000–57FFF |
| SA14 | 0 | 1 | 0 | 1 | 1 | X | X | X | 64/32 | 0B0000–0BFFFF | 58000–5FFFF |
| SA15 | 0 | 1 | 1 | 0 | 0 | X | X | X | 64/32 | 0C0000–0CFFFF | 60000–67FFF |
| SA16 | 0 | 1 | 1 | 0 | 1 | X | X | X | 64/32 | 0D0000–0DFFFF | 68000–6FFFF |
| SA17 | 0 | 1 | 1 | 1 | 0 | X | X | X | 64/32 | 0E0000–0EFFFF | 70000–77FFF |
| SA18 | 0 | 1 | 1 | 1 | 1 | X | X | X | 64/32 | 0F0000–0FFFFF | 78000–7FFFF |
| SA19 | 1 | 0 | 0 | 0 | 0 | X | X | X | 64/32 | 100000–10FFFF | 80000–87FFF |
| SA20 | 1 | 0 | 0 | 0 | 1 | X | X | X | 64/32 | 110000–11FFFF | 88000–8FFFF |
| SA21 | 1 | 0 | 0 | 1 | 0 | X | X | X | 64/32 | 120000–12FFFF | 90000–97FFF |
| SA22 | 1 | 0 | 0 | 1 | 1 | X | X | X | 64/32 | 130000–13FFFF | 98000–9FFFF |
| SA23 | 1 | 0 | 1 | 0 | 0 | X | X | X | 64/32 | 140000–14FFFF | A0000–A7FFF |
| SA24 | 1 | 0 | 1 | 0 | 1 | X | X | X | 64/32 | 150000–15FFFF | A8000–AFFFF |
| SA25 | 1 | 0 | 1 | 1 | 0 | X | X | X | 64/32 | 160000–16FFFF | B0000–B7FFF |
| SA26 | 1 | 0 | 1 | 1 | 1 | X | X | X | 64/32 | 170000–17FFFF | B8000–BFFFF |
| SA27 | 1 | 1 | 0 | 0 | 0 | X | X | X | 64/32 | 180000–18FFFF | C0000–C7FFF |
| SA28 | 1 | 1 | 0 | 0 | 1 | X | X | X | 64/32 | 190000–19FFFF | C8000–CFFFF |
| SA29 | 1 | 1 | 0 | 1 | 0 | X | X | X | 64/32 | 1A0000–1AFFFF | D0000–D7FFF |
| SA30 | 1 | 1 | 0 | 1 | 1 | X | X | X | 64/32 | 1B0000–1BFFFF | D8000–DFFFF |
| SA31 | 1 | 1 | 1 | 0 | 0 | X | X | X | 64/32 | 1C0000–1CFFFF | E0000–E7FFF |
| SA32 | 1 | 1 | 1 | 0 | 1 | X | X | X | 64/32 | 1D0000–1DFFFF | E8000–EFFFF |
| SA33 | 1 | 1 | 1 | 1 | 0 | X | X | X | 64/32 | 1E0000–1EFFFF | F0000–F7FFF |
| SA34 | 1 | 1 | 1 | 1 | 1 | X | X | X | 64/32 | 1F0000–1FFFFF | F8000–FFFFF |



PRODUCT SELECTOR GUIDE

| | | | |
|---|-------------------------------------|-------------------|------------|
| Product Number | | EN29LV160A | |
| Speed Option | Full Voltage Range: Vcc=2.7 – 3.6 V | -70 | -90 |
| Max Access Time, ns (t _{acc}) | | 70 | 90 |
| Max CE# Access, ns (t _{ce}) | | 70 | 90 |
| Max OE# Access, ns (t _{oe}) | | 30 | 35 |

BLOCK DIAGRAM

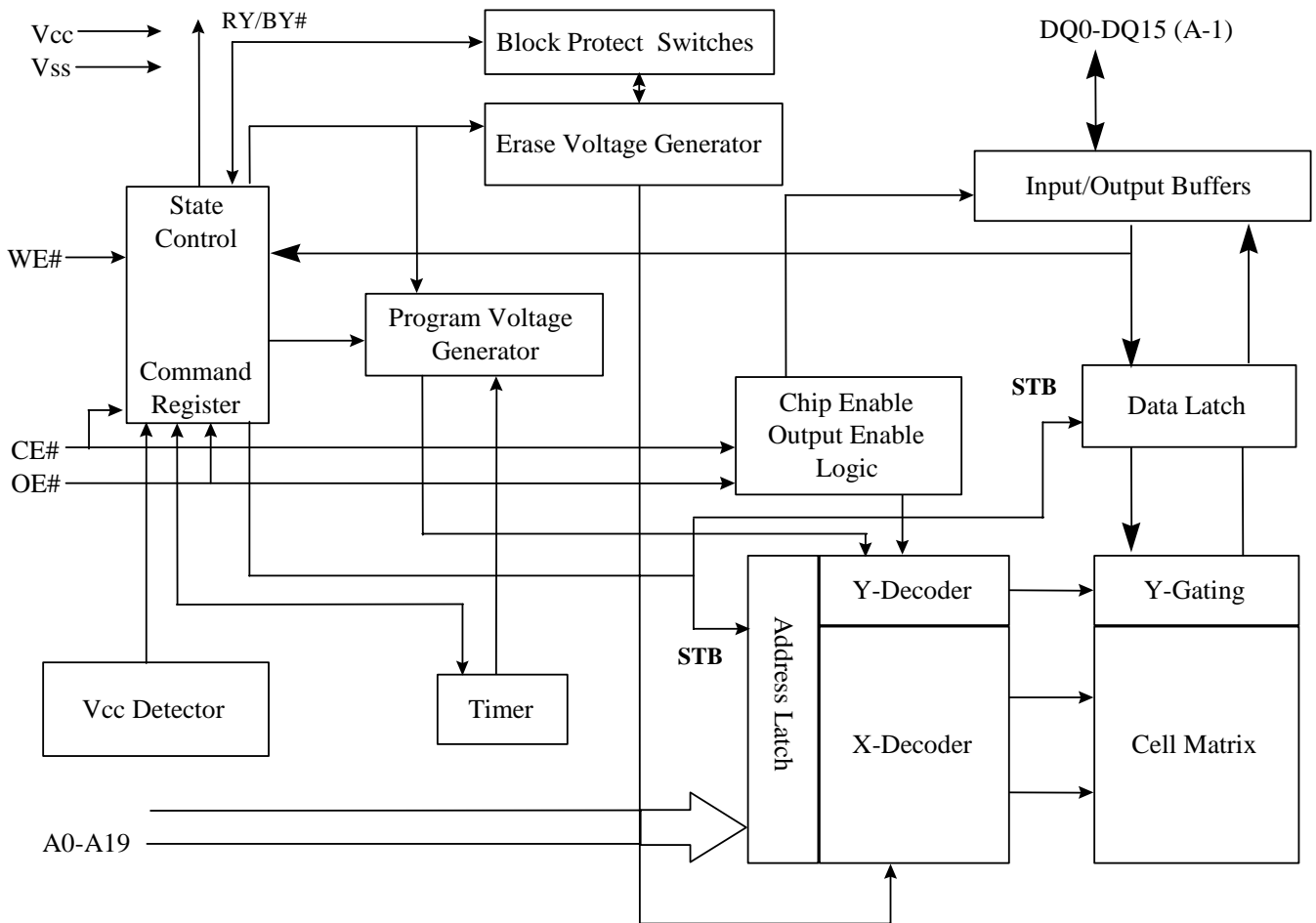




TABLE 3. OPERATING MODES

16M FLASH USER MODE TABLE

| Operation | CE# | OE# | WE# | Reset# | A0-A19 | DQ0-DQ7 | DQ8-DQ15 | |
|----------------------------|------------------------|-----|-----|------------------------|-----------------|------------------|-------------------------|-------------------------|
| | | | | | | | Byte# = V _{IH} | Byte# = V _{IL} |
| Read | L | L | H | H | A _{IN} | D _{OUT} | D _{OUT} | High-Z |
| Write | L | H | L | H | A _{IN} | D _{IN} | D _{IN} | High-Z |
| CMOS Standby | V _{CC} ± 0.3V | X | X | V _{CC} ± 0.3V | X | High-Z | High-Z | High-Z |
| TTL Standby | H | X | X | H | X | High-Z | High-Z | High-Z |
| Output Disable | L | H | H | H | X | High-Z | High-Z | High-Z |
| Hardware Reset | X | X | X | L | X | High-Z | High-Z | High-Z |
| Temporary Sector Unprotect | X | X | X | V _{ID} | A _{IN} | D _{IN} | D _{IN} | X |

Notes:

L=logic low= V_{IL}, H=Logic High= V_{IH}, V_{ID} =11 ± 0.5V, X=Don't Care (either L or H, but not floating!), D_{IN}=Data In, D_{OUT}=Data Out, A_{IN}=Address In

TABLE 4. Autoselect Codes (Using High Voltage, V_{ID})

16M FLASH MANUFACTURER/DEVICE ID TABLE

| Description | | CE# | OE# | WE# | A19 to A12 | A11 to A10 | A9 ² | A8 | A7 | A6 | A5 to A2 | A1 | A0 | DQ8 to DQ15 | DQ7 to DQ0 |
|--------------------------------|------|-----|-----|-----|------------|------------|-----------------|----------------|-----|----|----------|----|-----|-------------|-------------------|
| Manufacturer ID: Eon | | L | L | H | X | X | V _{ID} | L | X | L | X | L | L | X | 7FH |
| | | | | | | | | H ¹ | | | | | 1CH | | |
| Device ID (top boot block) | Word | L | L | H | X | X | V _{ID} | X | X | L | X | L | H | 22h | C4H |
| | Byte | L | L | H | | | | X | C4H | | | | | | |
| Device ID (bottom boot block) | Word | L | L | H | X | X | V _{ID} | X | X | L | X | L | H | 22h | 49H |
| | Byte | L | L | H | | | | X | 49H | | | | | | |
| Sector Protection Verification | | L | L | H | SA | X | V _{ID} | X | X | L | X | H | L | X | 01h (Protected) |
| | | | | | | | | | | | | | | X | 00h (Unprotected) |

Note:

- A8=H is recommended for Manufacturing ID check. If a manufacturing ID is read with A8=L, the chip will output a configuration code 7FH
- A9 = VID is for HV A9 Autoselect mode only. A9 must be ≤ V_{CC} (CMOS logic level) for Command Autoselect Mode.



USER MODE DEFINITIONS

Word / Byte Configuration

The signal set on the BYTE# Pin controls whether the device data I/O pins DQ15-DQ0 operate in the byte or word configuration. When the Byte# Pin is set at logic '1', then the device is in word configuration, DQ15-DQ0 are active and are controlled by CE# and OE#.

On the other hand, if the Byte# Pin is set at logic '0', then the device is in byte configuration, and only data I/O pins DQ0-DQ7 are active and controlled by CE# and OE#. The data I/O pins DQ8-DQ14 are tri-stated, and the DQ15 pin is used as an input for the LSB (A-1) address function.

Standby Mode

The EN29LV160A has a CMOS-compatible standby mode, which reduces the current to $< 1\mu\text{A}$ (typical). It is placed in CMOS-compatible standby when the CE# pin is at $V_{CC} \pm 0.5$. RESET# and BYTE# pin must also be at CMOS input levels. The device also has a TTL-compatible standby mode, which reduces the maximum V_{CC} current to $< 1\text{mA}$. It is placed in TTL-compatible standby when the CE# pin is at V_{IH} . When in standby modes, the outputs are in a high-impedance state independent of the OE# input.

Read Mode

The device is automatically set to reading array data after device power-up. No commands are required to retrieve data. The device is also ready to read array data after completing an Embedded Program or Embedded Erase algorithm.

After the device accepts an Erase Suspend command, the device enters the Erase Suspend mode. The system can read array data using the standard read timings, except that if it reads at an address within erase-suspended sectors, the device outputs status data. After completing a programming operation in the Erase Suspend mode, the system may once again read array data with the same exception. See "Erase Suspend/Erase Resume Commands" for more additional information.

The system must issue the reset command to re-enable the device for reading array data if DQ5 goes high, or while in the autoselect mode. See the "Reset Command" additional details.

Output Disable Mode

When the CE# or OE# pin is at a logic high level (V_{IH}), the output from the EN29LV160A is disabled. The output pins are placed in a high impedance state.

Auto Select Identification Mode

The autoselect mode provides manufacturer and device identification, and sector protection verification, through identifier codes output on DQ15-DQ0. This mode is primarily intended for programming equipment to automatically match a device to be programmed with its corresponding programming algorithm. However, the autoselect codes can also be accessed in-system through the command register.

When using programming equipment, the autoselect mode requires V_{ID} (10.5 V to 11.5 V) on address pin A9. Address pins A6, A1, and A0 must be as shown in Autoselect Codes table. In addition, when verifying sector protection, the sector address must appear on the appropriate highest order address bits. Refer to the corresponding Sector Address Tables. The Command Definitions table shows the remaining address bits that are don't-care. When all necessary bits have been set as required, the programming equipment may then read the corresponding identifier code on DQ15-DQ0.



To access the autoselect codes in-system; the host system can issue the autoselect command via the command register, as shown in the Command Definitions table. This method does not require V_{ID} . See "Command Definitions" for details on using the autoselect mode.

Write Mode

Programming is a four-bus-cycle operation. The program command sequence is initiated by writing two unlock write cycles, followed by the program set-up command. The program address and data are written next, which in turn initiate the Embedded Program algorithm. The system is not required to provide further controls or timings. The device automatically provides internally generated program pulses and verifies the programmed cell margin. The Command Definitions in Table 5 show the address and data requirements for the byte program command sequence.

When the Embedded Program algorithm is complete, the device then returns to reading array data and addresses are no longer latched. The system can determine the status of the program operation by using DQ7 or DQ6. See "Write Operation Status" for information on these status bits.

Any commands written to the device during the Embedded Program Algorithm are ignored.

Programming is allowed in any sequence and across sector boundaries. **A bit cannot be programmed from a "0" back to a "1"**. Attempting to do so may halt the operation and set DQ5 to "1", or cause the Data# Polling algorithm to indicate the operation was successful. However, a succeeding read will show that the data is still "0". Only erase operations can convert a "0" to a "1".

Sector Protection/Unprotection

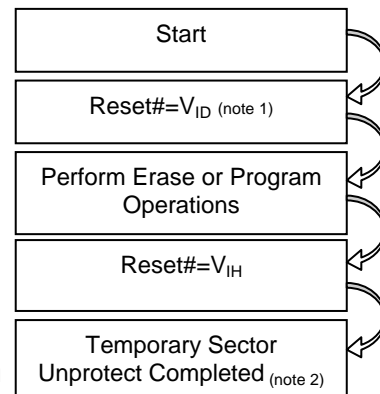
The hardware sector protection feature disables both program and erase operations in any sector. The hardware sector unprotection feature re-enables both program and erase operations in previously protected sectors.

There are two methods to enabling this hardware protection circuitry. The first one requires only that the RESET# pin be at V_{ID} and then standard microprocessor timings can be used to enable or disable this feature. See Flowchart 7a and 7b for the algorithm and Figure 12 for the timings. When doing Sector Unprotect, all the other sectors should be protected first.

The second method is meant for programming equipment. This method requires V_{ID} be applied to both OE# and A9 pin and non-standard microprocessor timings are used. This method is described in a separate document called EN29LV160A Supplement, which can be obtained by contacting a representative of Eon Silicon Solution, Inc.

Temporary Sector Unprotect

This feature allows temporary unprotection of previously protected sector groups to change data while in-system. The Sector Unprotect mode is activated by setting the RESET# pin to V_{ID} . During this mode, formerly protected sectors can be programmed or erased by simply selecting the sector addresses. Once is removed from the RESET# pin, all the previously protected sectors are protected again. See accompanying figure and timing diagrams for more details.



- Notes:
1. All protected sectors unprotected.
 2. Previously protected sectors protected again.



COMMON FLASH INTERFACE (CFI)

The common flash interface (CFI) specification outlines device and host systems software interrogation handshake, which allows specific vendor-specified software algorithms to be used for entire families of devices. Software support can then be device-independent, JEDEC ID-independent, and forward- and backward-compatible for the specified flash device families. Flash vendors can standardize their existing interfaces for long-term compatibility.

This device enters the CFI Query mode when the system writes the CFI Query command, 98h, to address 55h in word mode (or address AAh in byte mode), any time the device is ready to read array data.

The system can read CFI information at the addresses given in Tables 5-8. In word mode, the upper address bits (A7–MSB) must be all zeros. To terminate reading CFI data, the system must write the reset command.

The system can also write the CFI query command when the device is in the autoselect mode. The device enters the CFI query mode and the system can read CFI data at the addresses given in Tables 5–8. The system must write the reset command to return the device to the autoselect mode.

Table 5. CFI Query Identification String

| Addresses (Word Mode) | Addresses (Byte Mode) | Data | Description |
|-----------------------|-----------------------|-------------------------|--|
| 10h 11h 12h | 20h 22h 24h | 0051h 0052h 0059h | Query Unique ASCII string "QRY" |
| 13h 14h | 26h 28h | 0002h 0000h | Primary OEM Command Set |
| 15h 16h | 2Ah 2Ch | 0040h 0000h | Address for Primary Extended Table |
| 17h 18h | 2Eh 30h | 0000h 0000h | Alternate OEM Command set (00h = none exists) |
| 19h 1Ah | 32h 34h | 0000h 0000h | Address for Alternate OEM Extended Table (00h = none exists) |

Table 6. System Interface String

| Addresses (Word Mode) | Addresses (Byte Mode) | Data | Description |
|-----------------------|-----------------------|-------|--|
| 1Bh | 36h | 0027h | Vcc Min (write/erase) D7-D4: volt, D3 –D0: 100 millivolt |
| 1Ch | 38h | 0036h | Vcc Max (write/erase) D7-D4: volt, D3 –D0: 100 millivolt |
| 1Dh | 3Ah | 0000h | Vpp Min. voltage (00h = no Vpp pin present) |
| 1Eh | 3Ch | 0000h | Vpp Max. voltage (00h = no Vpp pin present) |
| 1Fh | 3Eh | 0004h | Typical timeout per single byte/word write 2 ^N μs |
| 20h | 40h | 0000h | Typical timeout for Min, size buffer write 2 ^N μs (00h = not supported) |
| 21h | 42h | 000Ah | Typical timeout per individual block erase 2 ^N ms |
| 22h | 44h | 0000h | Typical timeout for full chip erase 2 ^N ms (00h = not supported) |
| 23h | 46h | 0005h | Max. timeout for byte/word write 2 ^N times typical |
| 24h | 48h | 0000h | Max. timeout for buffer write 2 ^N times typical |
| 25h | 4Ah | 0004h | Max. timeout per individual block erase 2 ^N times typical |
| 26h | 4Ch | 0000h | Max timeout for full chip erase 2 ^N times typical (00h = not supported) |



Table 7. Device Geometry Definition

| Addresses (Word mode) | Addresses (Byte Mode) | Data | Description |
|-----------------------|-----------------------|-------|---|
| 27h | 4Eh | 0015h | Device Size = 2 ^N byte |
| 28h | 50h | 0002h | Flash Device Interface description (refer to CFI publication 100) |
| 29h | 52h | 0000h | |
| 2Ah | 54h | 0000h | Max. number of byte in multi-byte write = 2 ^N (00h = not supported) |
| 2Bh | 56h | 0000h | |
| 2Ch | 58h | 0004h | Number of Erase Block Regions within device |
| 2Dh | 5Ah | 0000h | Erase Block Region 1 Information (refer to the CFI specification of CFI publication 100) |
| 2Eh | 5Ch | 0000h | |
| 2Fh | 5Eh | 0040h | |
| 30h | 60h | 0000h | |
| 31h | 62h | 0001h | Erase Block Region 2 Information |
| 32h | 64h | 0000h | |
| 33h | 66h | 0020h | |
| 34h | 68h | 0000h | |
| 35h | 6Ah | 0000h | Erase Block Region 3 Information |
| 36h | 6Ch | 0000h | |
| 37h | 6Eh | 0080h | |
| 38h | 70h | 0000h | |
| 39h | 72h | 001Eh | Erase Block Region 4 Information |
| 3Ah | 74h | 0000h | |
| 3Bh | 76h | 0000h | |
| 3Ch | 78h | 0001h | |

Table 8. Primary Vendor-specific Extended Query

| Addresses (Word Mode) | Addresses (Byte Mode) | Data | Description |
|-----------------------|-----------------------|-------|--|
| 40h | 80h | 0050h | Query-unique ASCII string "PRI" |
| 41h | 82h | 0052h | |
| 42h | 84h | 0049h | |
| 43h | 86h | 0031h | Major version number, ASCII |
| 44h | 88h | 0030h | Minor version number, ASCII |
| 45h | 8Ah | 0000h | Address Sensitive Unlock 0 = Required, 1 = Not Required |
| 46h | 8Ch | 0002h | Erase Suspend 0 = Not Supported, 1 = To Read Only, 2 = To Read & Write |
| 47h | 8Eh | 0001h | Sector Protect 0 = Not Supported, X = Number of sectors in per group |
| 48h | 90h | 0001h | Sector Temporary Unprotect 00 = Not Supported, 01 = Supported |
| 49h | 92h | 0004h | Sector Protect/Unprotect scheme 01 = 29F040 mode, 02 = 29F016 mode, 03 = 29F400 mode, 04 = 29LV800A mode |
| 4Ah | 94h | 0000h | Simultaneous Operation 00 = Not Supported, 01 = Supported |
| 4Bh | 96h | 0000h | Burst Mode Type 00 = Not Supported, 01 = Supported |
| 4Ch | 98h | 0000h | Page Mode Type 00 = Not Supported, 01 = 4 Word Page, 02 = 8 Word Page |



Hardware Data protection

The command sequence requirement of unlock cycles for programming or erasing provides data protection against inadvertent writes as seen in the Command Definitions table. Additionally, the following hardware data protection measures prevent accidental erasure or programming, which might otherwise be caused by false system level signals during Vcc power up and power down transitions, or from system noise.

Low V_{CC} Write Inhibit

When Vcc is less than V_{LKO}, the device does not accept any write cycles. This protects data during Vcc power up and power down. The command register and all internal program/erase circuits are disabled, and the device resets. Subsequent writes are ignored until Vcc is greater than V_{LKO}. The system must provide the proper signals to the control pins to prevent unintentional writes when Vcc is greater than V_{LKO}.

Write Pulse “Glitch” protection

Noise pulses of less than 5 ns (typical) on OE#, CE# or WE# do not initiate a write cycle.

Logical Inhibit

Write cycles are inhibited by holding any one of OE# = V_{IL}, CE# = V_{IH}, or WE# = V_{IH}. To initiate a write cycle, CE# and WE# must be a logical zero while OE# is a logical one. If CE#, WE#, and OE# are all logical zero (not recommended usage), it will be considered a read.

Power-up Write Inhibit

During power-up, the device automatically resets to READ mode and locks out write cycles. Even with CE# = V_{IL}, WE# = V_{IL} and OE# = V_{IH}, the device will not accept commands on the rising edge of WE#.



COMMAND DEFINITIONS

The operations of the EN29LV160A are selected by one or more commands written into the command register to perform Read/Reset Memory, Read ID, Read Sector Protection, Program, Sector Erase, Chip Erase, Erase Suspend and Erase Resume. Commands are made up of data sequences written at specific addresses via the command register. The sequences for the specified operation are defined in the Command Definitions table (Table 5). Incorrect addresses, incorrect data values or improper sequences will reset the device to Read Mode.

Table 9. EN29LV160A Command Definitions

| Command Sequence | | Cycles | Bus Cycles | | | | | | | | | | | | | |
|-----------------------|-----------------------|--------|-----------------------------|------|-----------------------------|------|-----------------------------|----------|-----------------------------|------|-----------------------------|------|-----------------------------|------|--|--|
| | | | 1 st Write Cycle | | 2 nd Write Cycle | | 3 rd Write Cycle | | 4 th Write Cycle | | 5 th Write Cycle | | 6 th Write Cycle | | | |
| | | | Add | Data | Add | Data | Add | Data | Add | Data | Add | Data | Add | Data | | |
| Read | | 1 | RA | RD | | | | | | | | | | | | |
| Reset | | 1 | xxx | F0 | | | | | | | | | | | | |
| Autoselect | Manufacturer ID | Word | 555 | AA | 2AA | 55 | 555 | 90 | 000 | 7F | | | | | | |
| | | Byte | AAA | AA | 555 | 55 | AAA | 90 | 100 | 1C | | | | | | |
| | | | 000 | AA | 555 | 55 | AAA | 90 | 200 | 7F | | | | | | |
| | | | 200 | AA | 555 | 55 | AAA | 90 | 100 | 1C | | | | | | |
| | Device ID Top Boot | Word | 555 | AA | 2AA | 55 | 555 | 90 | x01 | 22C4 | | | | | | |
| | | Byte | AAA | AA | 555 | 55 | AAA | 90 | x02 | C4 | | | | | | |
| | Device ID Bottom Boot | Word | 555 | AA | 2AA | 55 | 555 | 90 | x01 | 2249 | | | | | | |
| | | Byte | AAA | AA | 555 | 55 | AAA | 90 | x02 | 49 | | | | | | |
| Sector Protect Verify | Word | 555 | AA | 2AA | 55 | 555 | 90 | (SA) X02 | XX00 | | | | | | | |
| | Byte | AAA | AA | 555 | 55 | AAA | 90 | (SA) X04 | XX01 | | | | | | | |
| Program | Word | 555 | AA | 2AA | 55 | 555 | A0 | PA | PD | | | | | | | |
| | Byte | AAA | AA | 555 | 55 | AAA | A0 | PA | PD | | | | | | | |
| Unlock Bypass | Word | 555 | AA | 2AA | 55 | 555 | 20 | | | | | | | | | |
| | Byte | AAA | AA | 555 | 55 | AAA | 20 | | | | | | | | | |
| Unlock Bypass Program | | 2 | XXX | A0 | PA | PD | | | | | | | | | | |
| Unlock Bypass Reset | | 2 | XXX | 90 | XXX | 00 | | | | | | | | | | |
| Chip Erase | Word | 6 | 555 | AA | 2AA | 55 | 555 | 80 | 555 | AA | 2AA | 55 | 555 | 10 | | |
| | Byte | AAA | AA | 555 | 55 | AAA | 80 | AAA | AA | 555 | 55 | AAA | 10 | | | |
| Sector Erase | Word | 6 | 555 | AA | 2AA | 55 | 555 | 80 | 555 | AA | 2AA | 55 | SA | 30 | | |
| | Byte | AAA | AA | 555 | 55 | AAA | 80 | AAA | AA | 555 | 55 | SA | 30 | | | |
| Erase Suspend | | 1 | xxx | B0 | | | | | | | | | | | | |
| Erase Resume | | 1 | xxx | 30 | | | | | | | | | | | | |
| CFI Query | Word | 1 | 55 | 98 | | | | | | | | | | | | |
| | Byte | AA | 98 | | | | | | | | | | | | | |

Address and Data values indicated in hex
 RA = Read Address: address of the memory location to be read. This is a read cycle.
 RD = Read Data: data read from location RA during Read operation. This is a read cycle.
 PA = Program Address: address of the memory location to be programmed. X = Don't-Care
 PD = Program Data: data to be programmed at location PA
 SA = Sector Address: address of the Sector to be erased or verified. Address bits A19-A12 uniquely select any Sector.

Reading Array Data

The device is automatically set to reading array data after power up. No commands are required to retrieve data. The device is also ready to read array data after completing an Embedded Program or Embedded Erase algorithm.

Following an Erase Suspend command, Erase Suspend mode is entered. The system can read array data using the standard read timings, with the only difference in that if it reads at an address



within erase suspended sectors, the device outputs status data. After completing a programming operation in the Erase Suspend mode, the system may once again read array data with the same exception.

The Reset command must be issued to re-enable the device for reading array data if DQ5 goes high, or while in the autoselect mode. See next section for details on Reset.

Reset Command

Writing the reset command to the device resets the device to reading array data. Address bits are don't-care for this command.

The reset command may be written between the sequence cycles in an erase command sequence before erasing begins. This resets the device to reading array data. Once erasure begins, however, the device ignores reset commands until the operation is complete. The reset command may be written between the sequence cycles in a program command sequence before programming begins. This resets the device to reading array data (also applies to programming in Erase Suspend mode). Once programming begins, however, the device ignores reset commands until the operation is complete.

The reset command may be written between the sequence cycles in an autoselect command sequence. Once in the autoselect mode, the reset command must be written to return to reading array data (also applies to autoselect during Erase Suspend).

If DQ5 goes high during a program or erase operation, writing the reset command returns the device to reading array data (also applies during Erase Suspend).

Autoselect Command Sequence

The autoselect command sequence allows the host system to access the manufacturer and device codes, and determine whether or not a sector is protected. The Command Definitions table shows the address and data requirements. This is an alternative to the method that requires V_{ID} on address bit A9 and is intended for PROM programmers.

Two unlock cycles followed by the autoselect command initiate the autoselect command sequence. Autoselect mode is then entered and the system may read at addresses shown in Table 4 any number of times, without needing another command sequence.

The system must write the reset command to exit the autoselect mode and return to reading array data.

Word / Byte Programming Command

The device can be programmed by byte or by word, depending on the state of the Byte# Pin. Programming the EN29LV160A is performed by using a four-bus-cycle operation (two unlock write cycles followed by the Program Setup command and Program Data Write cycle). When the program command is executed, no additional CPU controls or timings are necessary. An internal timer terminates the program operation automatically. Address is latched on the falling edge of CE# or WE#, whichever is last; data is latched on the rising edge of CE# or WE#, whichever is first.

Programming status can be checked by sampling data on DQ7 (DATA# polling) or on DQ6 (toggle bit). When the program operation is successfully completed, the device returns to read mode and the user can read the data programmed to the device at that address. Note that data can not be programmed from a "0" to a "1". Only an erase operation can change a data from "0" to "1". When programming time limit is exceeded, DQ5 will produce a logical "1" and a Reset command can return the device to Read mode.



Unlock Bypass

To speed up programming operation, the Unlock Bypass Command may be used. Once this feature is activated, the shorter two cycle Unlock Bypass Program command can be used instead of the normal four cycle Program Command to program the device. This mode is exited after issuing the Unlock Bypass Reset Command. The device powers up with this feature disabled.

Chip Erase Command

Chip erase is a six-bus-cycle operation. The chip erase command sequence is initiated by writing two unlock cycles, followed by a set-up command. Two additional unlock write cycles are then followed by the chip erase command, which in turn invokes the Embedded Erase algorithm. The device does not require the system to preprogram prior to erase. The Embedded Erase algorithm automatically preprograms and verifies the entire memory for an all zero data pattern prior to electrical erase. The system is not required to provide any controls or timings during these operations. The Command Definitions table shows the address and data requirements for the chip erase command sequence.

Any commands written to the chip during the Embedded Chip Erase algorithm are ignored.

The system can determine the status of the erase operation by using DQ7, DQ6, or DQ2. See “Write Operation Status” for information on these status bits. When the Embedded Erase algorithm is complete, the device returns to reading array data and addresses are no longer latched.

Flowchart 4 illustrates the algorithm for the erase operation. See the Erase/Program Operations tables in “AC Characteristics” for parameters, and to the Chip/Sector Erase Operation Timings for timing waveforms.

Sector Erase Command Sequence

Sector erase is a six bus cycle operation. The sector erase command sequence is initiated by writing two un-lock cycles, followed by a set-up command. Two additional unlock write cycles are then followed by the address of the sector to be erased, and the sector erase command. The Command Definitions table shows the address and data requirements for the sector erase command sequence.

Once the sector erase operation has begun, only the Erase Suspend command is valid. All other commands are ignored.

When the Embedded Erase algorithm is complete, the device returns to reading array data and addresses are no longer latched. The system can determine the status of the erase operation by using DQ7, DQ6, or DQ2. Refer to “Write Operation Status” for information on these status bits. Flowchart 4 illustrates the algorithm for the erase operation. Refer to the Erase/Program Operations tables in the “AC Characteristics” section for parameters, and to the Sector Erase Operations Timing diagram for timing waveforms.

Erase Suspend / Resume Command

The Erase Suspend command allows the system to interrupt a sector erase operation and then read data from, or program data to, any sector not selected for erasure. This command is valid only during the sector erase operation. The Erase Suspend command is ignored if written during the chip erase operation or Embedded Program algorithm. Addresses are don't-cares when writing the Erase Suspend command.



When the Erase Suspend command is written during a sector erase operation, the device requires a maximum of 20 μ s to suspend the erase operation.

After the erase operation has been suspended, the system can read array data from or program data to any sector not selected for erasure. (The device “erase suspends” all sectors selected for erasure.) Normal read and write timings and command definitions apply. Reading at any address within erase-suspended sectors produces status data on DQ7–DQ0. The system can use DQ7, or DQ6 and DQ2 together, to determine if a sector is actively erasing or is erase-suspended. See “Write Operation Status” for information on these status bits.

After an erase-suspended program operation is complete, the system can once again read array data within non-suspended sectors. The system can determine the status of the program operation using the DQ7 or DQ6 status bits, just as in the standard program operation. See “Write Operation Status” for more information. The Autoselect command is not supported during Erase Suspend Mode.

The system must write the Erase Resume command (address bits are don’t-care) to exit the erase suspend mode and continue the sector erase operation. Further writes of the Resume command are ignored. Another Erase Suspend command can be written after the device has resumed erasing.

WRITE OPERATION STATUS

DQ7

DATA# Polling

The EN29LV160A provides DATA# polling on DQ7 to indicate the status of the embedded operations. The DATA# polling feature is active during Byte Programming, Sector Erase, Chip Erase, and Erase Suspend. (See Table 10)

When the embedded Programming is in progress, an attempt to read the device will produce the complement of the data written to DQ7. Upon the completion of the Byte Programming, an attempt to read the device will produce the true data written to DQ7. For the Byte Programming, DATA# polling is valid after the rising edge of the fourth WE# or CE# pulse in the four-cycle sequence.

When the embedded Erase is in progress, an attempt to read the device will produce a “0” at the DQ7 output. Upon the completion of the embedded Erase, the device will produce the “1” at the DQ7 output during the read cycles. For Chip Erase, the DATA# polling is valid after the rising edge of the sixth WE# or CE# pulse in the six-cycle sequence. DATA# polling is valid after the last rising edge of the WE# or CE# pulse for chip erase or sector erase.

DATA# Polling must be performed at any address within a sector that is being programmed or erased and not a protected sector. Otherwise, DATA# polling may give an inaccurate result if the address used is in a protected sector.

Just prior to the completion of the embedded operations, DQ7 may change asynchronously when the output enable (OE#) is low. This means that the device is driving status information on DQ7 at one instant of time and valid data at the next instant of time. Depending on when the system samples the DQ7 output, it may read the status of valid data. Even if the device has completed the embedded operations and DQ7 has a valid data, the data output on DQ0-DQ6 may be still invalid. The valid data on DQ0-DQ7 will be read on the subsequent read attempts.

The flowchart for DATA# Polling (DQ7) is shown on Flowchart 5. The DATA# Polling (DQ7) timing diagram is shown in Figure 8.

RY/BY#: Ready/Busy



The RY/BY# is a dedicated, open-drain output pin that indicates whether an Embedded Algorithm is in progress or completed. The RY/BY# status is valid after the rising edge of the final WE# pulse in the command sequence. Since RY/BY# is an open-drain output, several RY/BY# pins can be tied together in parallel with a pull-up resistor to Vcc.

In the output-low period, signifying Busy, the device is actively erasing or programming. This includes programming in the Erase Suspend mode. If the output is high, signifying the Ready, the device is ready to read array data (including during the Erase Suspend mode), or is in the standby mode.

DQ6 Toggle Bit I

The EN29LV160A provides a “Toggle Bit” on DQ6 to indicate the status of the embedded programming and erase operations. (See Table 6)

During an embedded Program or Erase operation, successive attempts to read data from the device at any address (by active OE# or CE#) will result in DQ6 toggling between “zero” and “one”. Once the embedded Program or Erase operation is completed, DQ6 will stop toggling and valid data will be read on the next successive attempts. During embedded Programming, the Toggle Bit is valid after the rising edge of the fourth WE# pulse in the four-cycle sequence. During Erase operation, the Toggle Bit is valid after the rising edge of the sixth WE# pulse for sector erase or chip erase.

In embedded Programming, if the sector being written to is protected, DQ6 will toggle for about 2 μ s, then stop toggling without the data in the sector having changed. In Sector Erase or Chip Erase, if all selected sectors are protected, DQ6 will toggle for about 100 μ s. The chip will then return to the read mode without changing data in all protected sectors.

The flowchart for the Toggle Bit (DQ6) is shown in Flowchart 6. The Toggle Bit timing diagram is shown in Figure 9.

DQ5 Exceeded Timing Limits

DQ5 indicates whether the program or erase time has exceeded a specified internal pulse count limit. Under these conditions DQ5 produces a “1.” This is a failure condition that indicates the program or erase cycle was not successfully completed. Since it is possible that DQ5 can become a 1 when the device has successfully completed its operation and has returned to read mode, the user must check again to see if the DQ6 is toggling after detecting a “1” on DQ5.

The DQ5 failure condition may appear if the system tries to program a “1” to a location that is previously programmed to “0.” **Only an erase operation can change a “0” back to a “1.”** Under this condition, the device halts the operation, and when the operation has exceeded the timing limits, DQ5 produces a “1.” Under both these conditions, the system must issue the reset command to return the device to reading array data.

DQ3 Sector Erase Timer

After writing a sector erase command sequence, the output on DQ3 can be used to determine whether or not an erase operation has begun. (The sector erase timer does not apply to the chip erase command.) When sector erase starts, DQ3 switches from “0” to “1.” This device does not support multiple sector erase command sequences so it is not very meaningful since it immediately shows as a “1” after the first 30h command. Future devices may support this feature.

DQ2 Erase Toggle Bit II



The “Toggle Bit” on DQ2, when used with DQ6, indicates whether a particular sector is actively erasing (that is, the Embedded Erase algorithm is in progress), or whether that sector is erase-suspended. Toggle Bit II is valid after the rising edge of the final WE# pulse in the command sequence. DQ2 toggles when the system reads at addresses within those sectors that have been selected for erasure. (The system may use either OE# or CE# to control the read cycles.) But DQ2 cannot distinguish whether the sector is actively erasing or is erase-suspended. DQ6, by comparison, indicates whether the device is actively erasing, or is in Erase Suspend, but cannot distinguish which sectors are selected for erasure. Thus, both status bits are required for sector and mode information. Refer to Table 5 to compare outputs for DQ2 and DQ6.

Flowchart 6 shows the toggle bit algorithm, and the section “DQ2: Toggle Bit” explains the algorithm. See also the “DQ6: Toggle Bit I” subsection. Refer to the Toggle Bit Timings figure for the toggle bit timing diagram. The DQ2 vs. DQ6 figure shows the differences between DQ2 and DQ6 in graphical form.

Reading Toggle Bits DQ6/DQ2

Refer to Flowchart 6 for the following discussion. Whenever the system initially begins reading toggle bit status, it must read DQ7–DQ0 at least twice in a row to determine whether a toggle bit is toggling. Typically, a system would note and store the value of the toggle bit after the first read. After the second read, the system would compare the new value of the toggle bit with the first. If the toggle bit is not toggling, the device has completed the program or erase operation. The system can read array data on DQ7–DQ0 on the following read cycle.

However, if after the initial two read cycles, the system determines that the toggle bit is still toggling, the system also should note whether the value of DQ5 is high (see the section on DQ5). If it is, the system should then determine again whether the toggle bit is toggling, since the toggle bit may have stopped toggling just as DQ5 went high. If the toggle bit is no longer toggling, the device has successfully completed the program or erase operation. If it is still toggling, the device did not complete the operation successfully, and the system must write the reset command to return to reading array data.

The remaining scenario is that the system initially determines that the toggle bit is toggling and DQ5 has not gone high. The system may continue to monitor the toggle bit and DQ5 through successive read cycles, determining the status as described in the previous paragraph. Alternatively, it may choose to perform other system tasks. In this case, the system must start at the beginning of the algorithm when it returns to determine the status of the operation (top of Flowchart 6).

Write Operation Status

| Operation | | DQ7 | DQ6 | DQ5 | DQ3 | DQ2 | RY/BY # |
|--------------------|---|------|-----------|------|------|-----------|---------|
| Standard Mode | Embedded Program Algorithm | DQ7# | Toggle | 0 | N/A | No toggle | 0 |
| | Embedded Erase Algorithm | 0 | Toggle | 0 | 1 | Toggle | 0 |
| Erase Suspend Mode | Reading within Erase Suspended Sector | 1 | No Toggle | 0 | N/A | Toggle | 1 |
| | Reading within Non-Erase Suspended Sector | Data | Data | Data | Data | Data | 1 |
| | Erase-Suspend Program | DQ7# | Toggle | 0 | N/A | N/A | 0 |



Table 10. Status Register Bits

| DQ | Name | Logic Level | Definition |
|----|-------------------|-------------------|--|
| 7 | DATA# POLLING | '1' | Erase Complete or erase Sector in Erase suspend |
| | | '0' | Erase On-Going |
| | | DQ7 | Program Complete or data of non-erase Sector during Erase Suspend |
| | | DQ7# | Program On-Going |
| 6 | TOGGLE BIT | '-1-0-1-0-1-0-1-' | Erase or Program On-going |
| | | DQ6 | Read during Erase Suspend |
| | | '-1-1-1-1-1-1-1-' | Erase Complete |
| 5 | ERROR BIT | '1' | Program or Erase Error |
| | | '0' | Program or Erase On-going |
| 3 | ERASE TIME BIT | '1' | Erase operation start |
| | | '0' | Erase timeout period on-going |
| 2 | TOGGLE BIT | '-1-0-1-0-1-0-1-' | Chip Erase, Erase or Erase suspend on currently addressed Sector. (When DQ5=1, Erase Error due to currently addressed Sector. Program during Erase Suspend on- going at current address |
| | | DQ2 | Erase Suspend read on non Erase Suspend Sector |

Notes:

DQ7 DATA# Polling: indicates the P/E status check during Program or Erase, and on completion before checking bits DQ5 for Program or Erase Success.

DQ6 Toggle Bit: remains at constant level when P/E operations are complete or erase suspend is acknowledged. Successive reads output complementary data on DQ6 while programming or Erase operation are on-going.

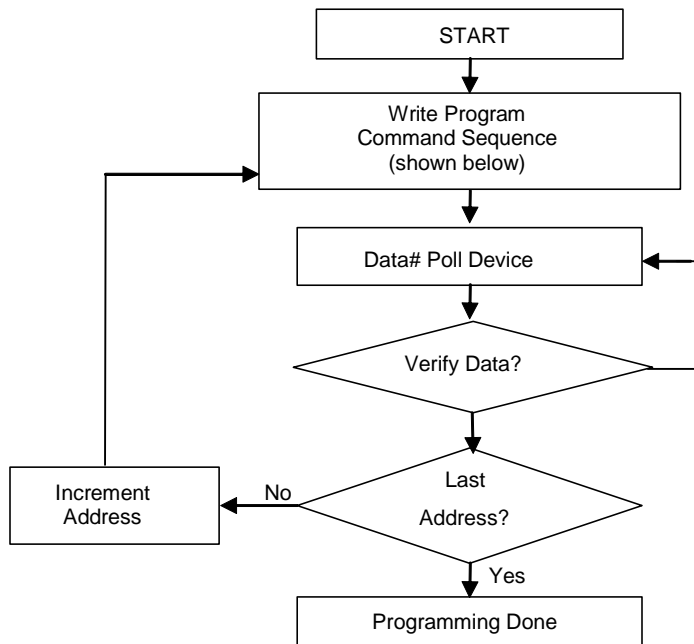
DQ5 Error Bit: set to "1" if failure in programming or erase

DQ3 Sector Erase Command Timeout Bit: Operation has started. Only possible command is Erase suspend (ES).

DQ2 Toggle Bit: indicates the Erase status and allows identification of the erased Sector.

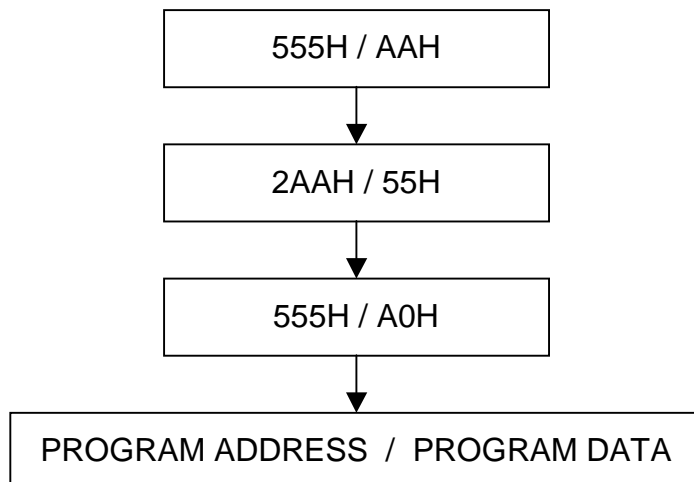
EMBEDDED ALGORITHMS

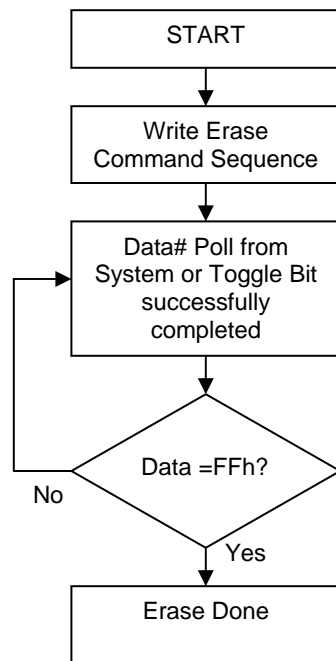
Flowchart 1. Embedded Program



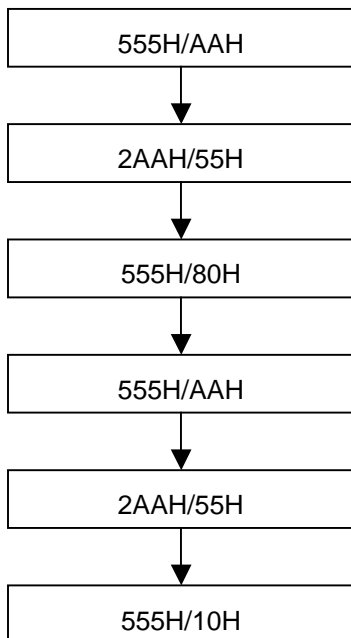
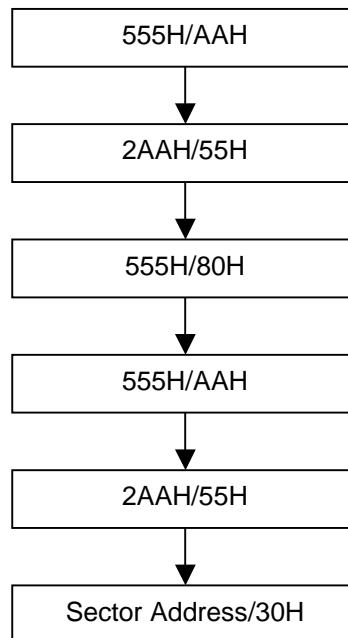
Flowchart 2. Embedded Program Command Sequence

See the Command Definitions section for more information.



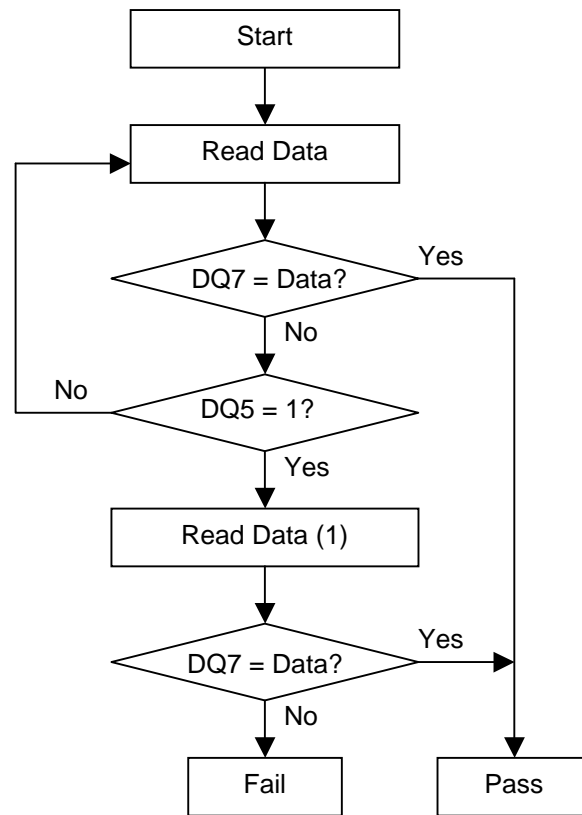
Flowchart 3. Embedded Erase

Flowchart 4. Embedded Erase Command Sequence

See the Command Definitions section for more information.

Chip Erase

Sector Erase


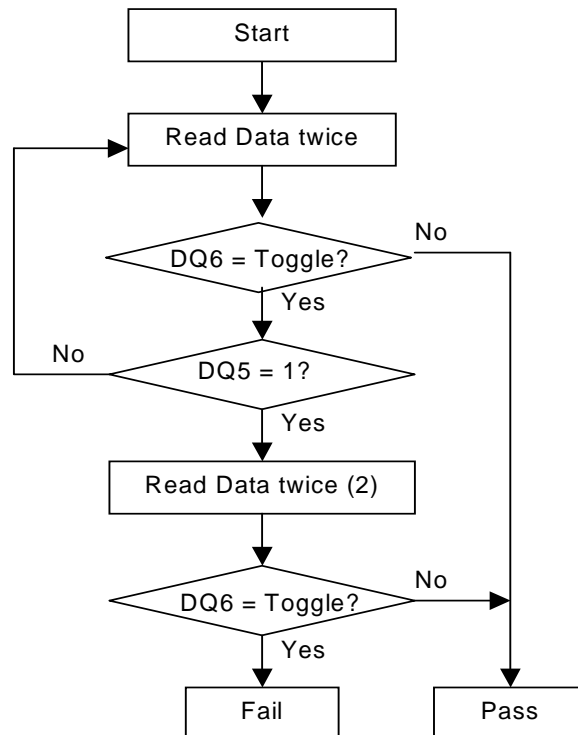


Flowchart 5. DATA# Polling Algorithm



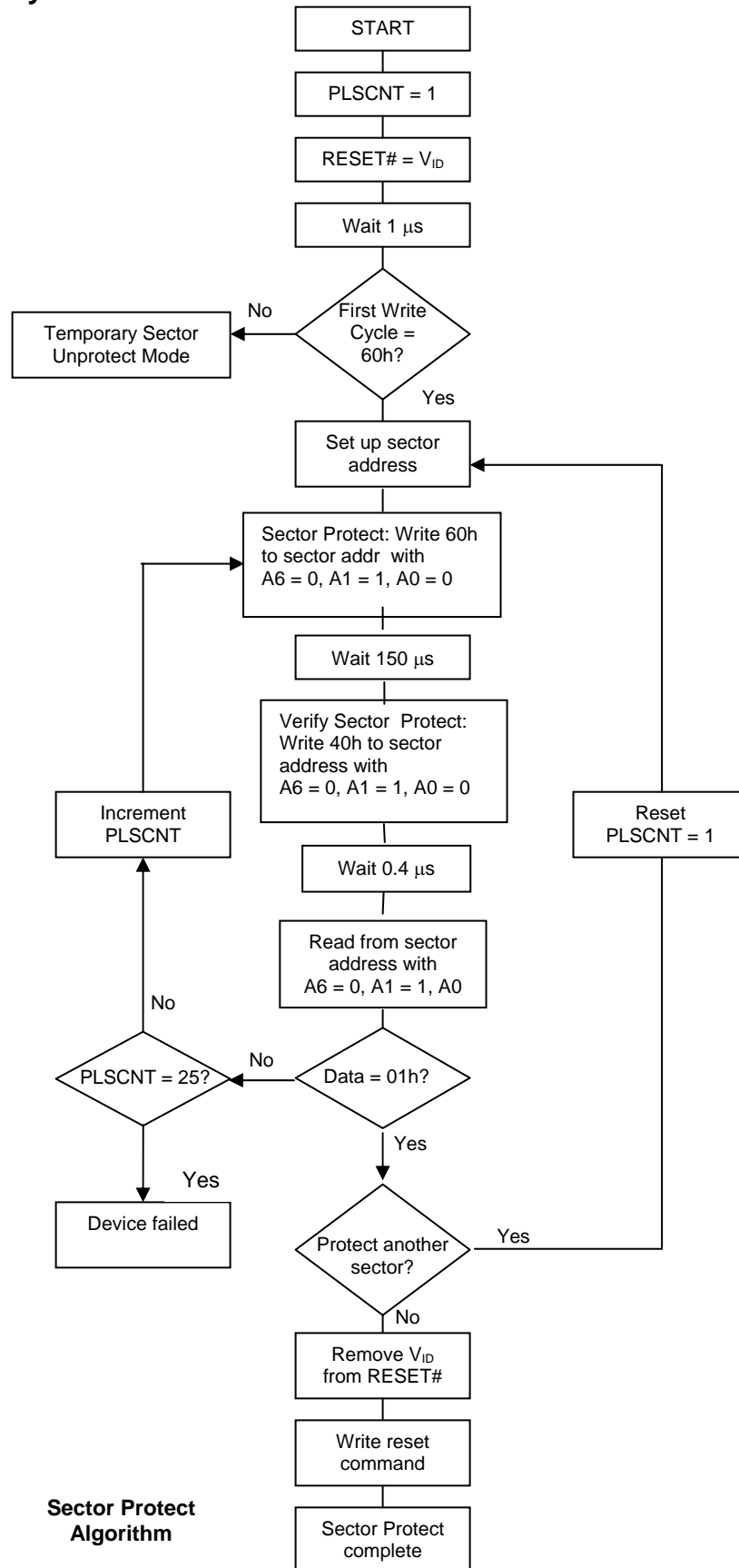
Notes:
(1) This second read is necessary in case the first read was done at the exact instant when the status data was in transition.

Flowchart 6. Toggle Bit Algorithm



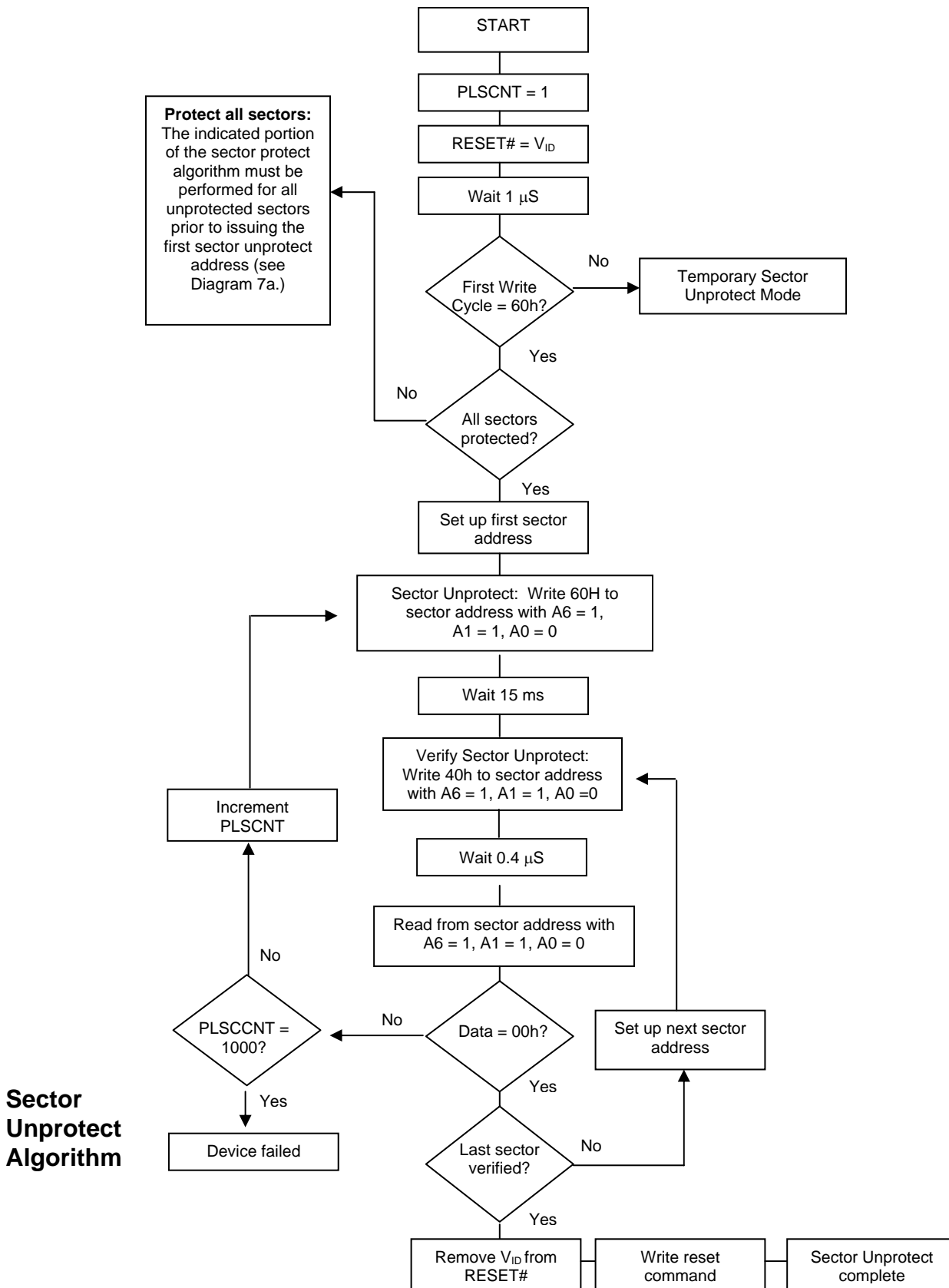
Notes:
(2) This second set of reads is necessary in case the first set of reads was done at the exact instant when the status data was in transition.

Flowchart 7a. In-System Sector Protect Flowchart



Sector Protect Algorithm

Flowchart 7b. In-System Sector Unprotect Flowchart

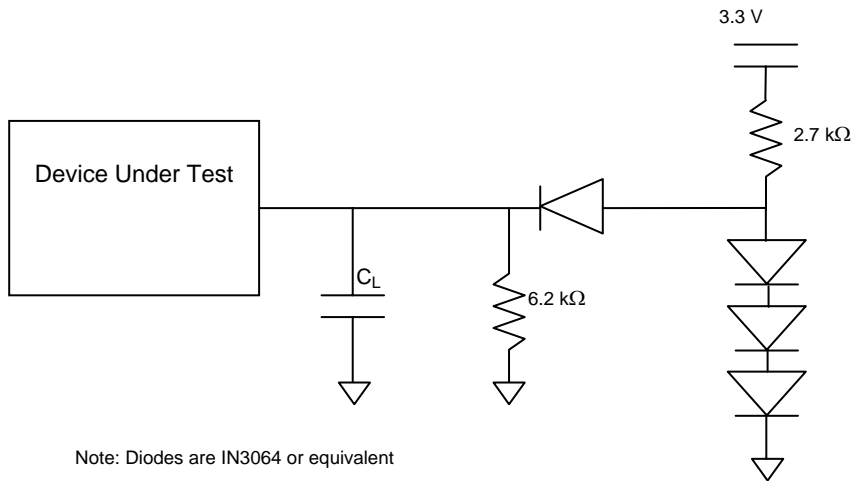


**Table 11. DC Characteristics**(T_a = 0°C to 70°C or - 40°C to 85°C; V_{CC} = 2.7-3.6V)

| Symbol | Parameter | Test Conditions | Min | Typ | Max | Unit |
|------------------|--|---|---------------------------|-----|--------------------------|------|
| I _{LI} | Input Leakage Current | 0V ≤ V _{IN} ≤ V _{CC} | | | ±5 | μA |
| I _{LO} | Output Leakage Current | 0V ≤ V _{OUT} ≤ V _{CC} | | | ±5 | μA |
| I _{CC1} | Supply Current (read) CMOS Byte | CE# = V _{IL} ; OE# = V _{IH} ; f = 5MHZ | | 9 | 16 | mA |
| | (read) CMOS Word | | | 9 | 16 | mA |
| I _{CC2} | Supply Current (Standby - TTL) | CE# = V _{IH} , BYTE# = RESET# = V _{CC} ± 0.3V (Note 1) | | 0.4 | 1.0 | mA |
| | (Standby - CMOS) | CE# = BYTE# = RESET# = V _{CC} ± 0.3V (Note 1) | | 1 | 5.0 | μA |
| I _{CC3} | Supply Current (Program or Erase) | Byte program, Sector or Chip Erase in progress | | 20 | 30 | mA |
| V _{IL} | Input Low Voltage | | -0.5 | | 0.8 | V |
| V _{IH} | Input High Voltage | | 0.7 x V _{CC} | | V _{CC} ± 0.3 | V |
| V _{OL} | Output Low Voltage | I _{OL} = 4.0 mA | | | 0.45 | V |
| V _{OH} | Output High Voltage TTL | I _{OH} = -2.0 mA | 0.85 x V _{CC} | | | V |
| | Output High Voltage CMOS | I _{OH} = -100 μA, | V _{CC} - 0.4V | | | V |
| V _{ID} | A9 Voltage (Electronic Signature) | | 10.5 | | 11.5 | V |
| I _{ID} | A9 Current (Electronic Signature) | A9 = V _{ID} | | | 100 | μA |
| V _{LKO} | Supply voltage (Erase and Program lock-out) | | 2.3 | | 2.5 | V |

Notes

1. BYTE# pin can also be GND ± 0.3V. BYTE# and RESET# pin input buffers are always enabled so that they draw power if not at full CMOS supply voltages.

Test Conditions

Test Specifications

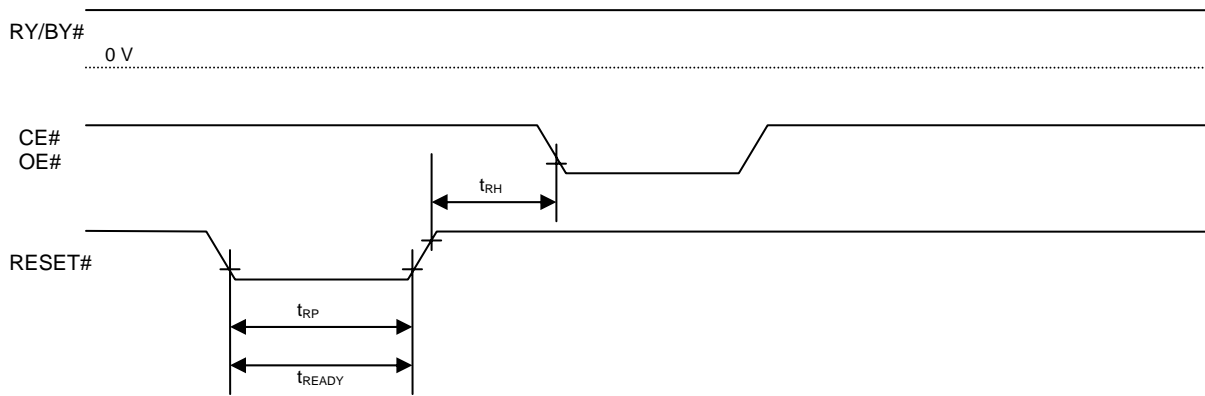
| Test Conditions | -70 | -90 | | Unit |
|--|------------|---------|--|------|
| Output Load | 1 TTL Gate | | | |
| Output Load Capacitance, C_L | 30 | 100 | | pF |
| Input Rise and Fall times | 5 | 5 | | ns |
| Input Pulse Levels | 0.0-3.0 | 0.0-3.0 | | V |
| Input timing measurement reference levels | 1.5 | 1.5 | | V |
| Output timing measurement reference levels | 1.5 | 1.5 | | V |



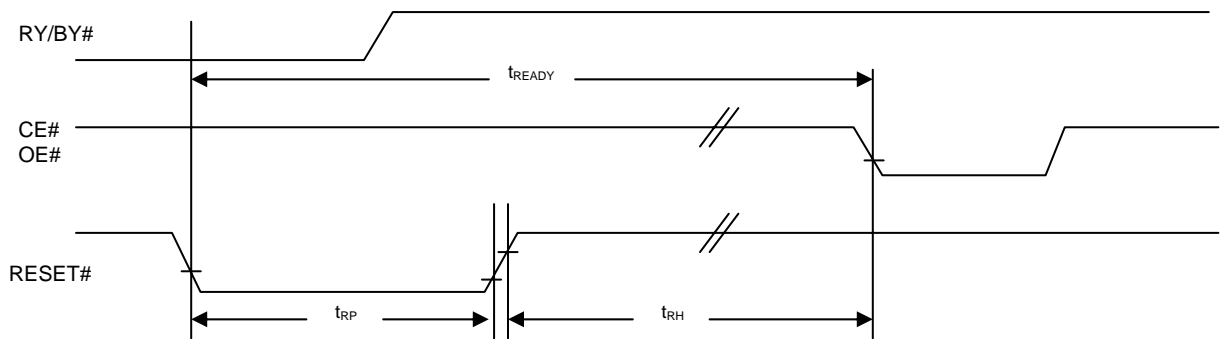
AC CHARACTERISTICS Hardware Reset (Reset#)

| Parameter Std | Description | Test Setup | Speed options | | Unit |
|---------------|---|------------|---------------|-----|---------|
| | | | -70 | -90 | |
| t_{READY} | Reset# Pin Low to Read or Write Embedded Algorithms | Max | 20 | | μ s |
| t_{READY} | Reset# Pin Low to Read or Write Non Embedded Algorithms | Max | 500 | | nS |
| t_{RP} | Reset# Pulse Width | Min | 500 | | nS |
| t_{RH} | Reset# High Time Before Read | Min | 50 | | nS |

Reset# Timings



Reset Timings NOT During Automatic Algorithms

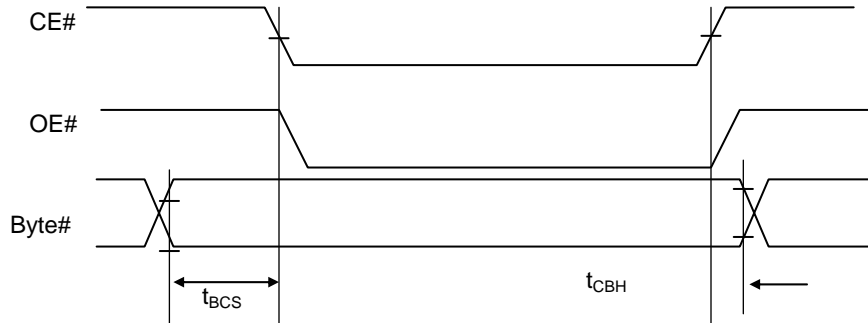


Reset Timings During Automatic Algorithms

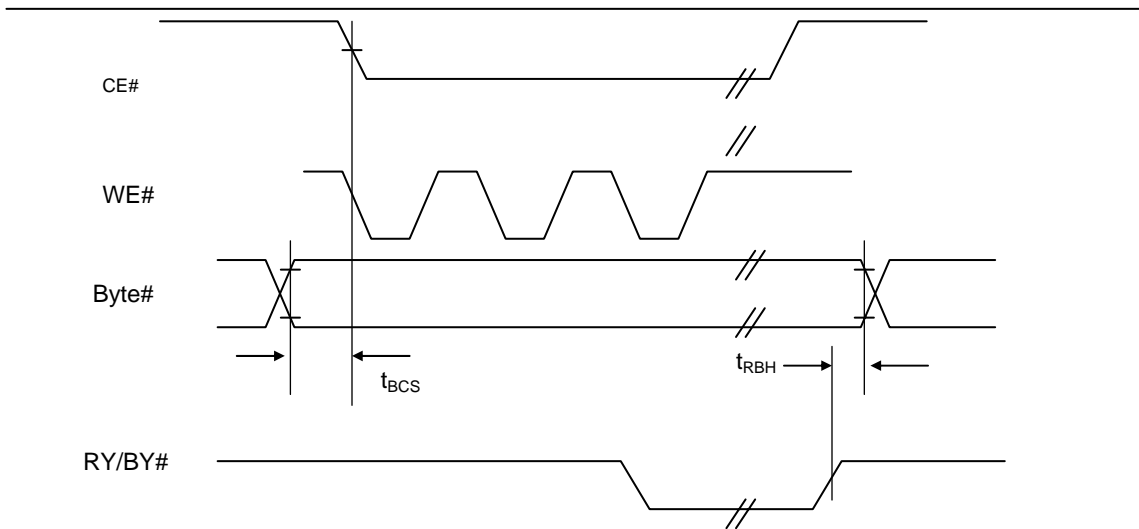


AC CHARACTERISTICS Word / Byte Configuration (Byte#)

| Std Parameter | Description | | Speed | | | Unit |
|------------------|-------------------------------------|-----|-------|-----|--|------|
| | | | -70 | -90 | | |
| t _{BCS} | Byte# to CE# switching setup time | Min | 0 | 0 | | ns |
| t _{CBH} | CE# to Byte# switching hold time | Min | 0 | 0 | | ns |
| t _{RBH} | RY/BY# to Byte# switching hold time | Min | 0 | 0 | | ns |



Byte# timings for Read Operations



Byte #timings for Write Operations

Note: Switching BYTE# pin not allowed during embedded operations



Table 12. AC CHARACTERISTICS

Read-only Operations Characteristics

| Parameter Symbols | | Description | Test Setup | | Speed Options | | Unit |
|-------------------|------------------|---|--|-----|---------------|-----|------|
| JEDEC | Standard | | | | -70 | -90 | |
| t _{AVAV} | t _{RC} | Read Cycle Time | | Min | 70 | 90 | ns |
| t _{AVQV} | t _{ACC} | Address to Output Delay | CE# = V _{IL} OE# = V _{IL} | Max | 70 | 90 | ns |
| t _{ELQV} | t _{CE} | Chip Enable To Output Delay | OE# = V _{IL} | Max | 70 | 90 | ns |
| t _{GLQV} | t _{OE} | Output Enable to Output Delay | | Max | 30 | 35 | ns |
| t _{EHQZ} | t _{DF} | Chip Enable to Output High Z | | Max | 20 | 20 | ns |
| t _{GHQZ} | t _{DF} | Output Enable to Output High Z | | Max | 20 | 20 | ns |
| t _{AXQX} | t _{OH} | Output Hold Time from Addresses, CE# or OE#, whichever occurs first | | Min | 0 | 0 | ns |

Notes:

For - 70

V_{cc} = 3.0V ± 5%
 Output Load : 1 TTL gate and 30pF
 Input Rise and Fall Times: 5ns
 Input Rise Levels: 0.0 V to 3.0 V
 Timing Measurement Reference Level, Input and Output: 1.5 V

For all others:

V_{cc} = 2.7V – 3.6V
 Output Load: 1 TTL gate and 100 pF
 Input Rise and Fall Times: 5 ns
 Input Pulse Levels: 0.45 V to .8 x V_{cc}
 Timing Measurement Reference Level, Input and Output: 0.8 V and .7 x V_{cc}

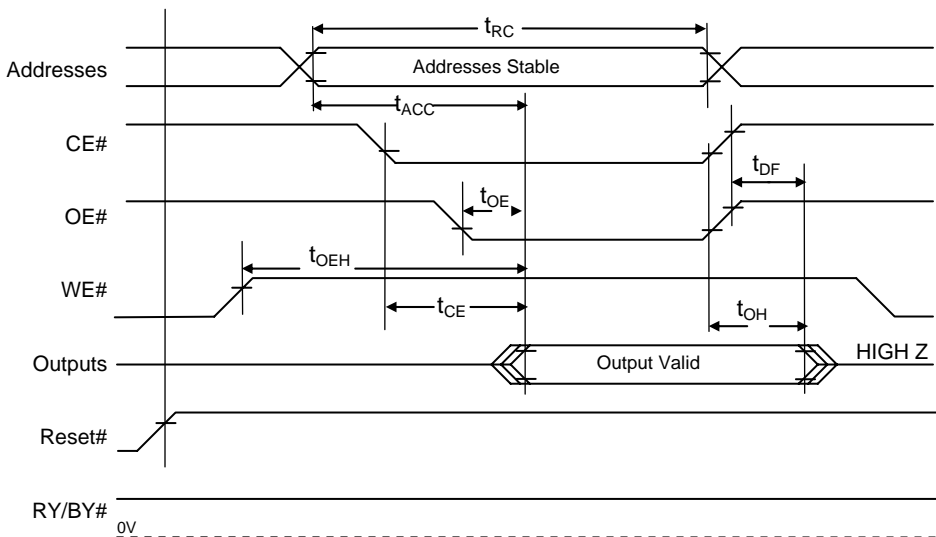


Figure 5. AC Waveforms for READ Operations



Table 13. AC CHARACTERISTICS

Write (Erase/Program) Operations

| Parameter Symbols | | Description | | Speed Options | | Unit |
|--------------------|--------------------|---|--------------------------|---------------|------|------|
| JEDEC | Standard | | | -70 | -90 | |
| t _{AVAV} | t _{WC} | Write Cycle Time | Min | 70 | 90 | ns |
| t _{AVWL} | t _{AS} | Address Setup Time | Min | 0 | 0 | ns |
| t _{WLAX} | t _{AH} | Address Hold Time | Min | 45 | 45 | ns |
| t _{DVWH} | t _{DS} | Data Setup Time | Min | 30 | 45 | ns |
| t _{WHDX} | t _{DH} | Data Hold Time | Min | 0 | 0 | ns |
| | t _{OES} | Output Enable Setup Time | Min | 0 | 0 | ns |
| | t _{OEH} | Output Enable Hold Time | Read | Min | 0 | ns |
| | | | Toggle and DATA# Polling | Min | 10 | 10 |
| t _{GHWL} | t _{GHWL} | Read Recovery Time before Write (OE# High to WE# Low) | Min | 0 | 0 | ns |
| t _{ELWL} | t _{CS} | CE# Setup Time | Min | 0 | 0 | ns |
| t _{WHEH} | t _{CH} | CE# Hold Time | Min | 0 | 0 | ns |
| t _{WLWH} | t _{WP} | Write Pulse Width | Min | 45 | 45 | ns |
| t _{WHDL} | t _{WPH} | Write Pulse Width High | Min | 20 | 20 | ns |
| t _{WHWH1} | t _{WHWH1} | Programming Operation (Word AND Byte Mode) | Typ | 8 | 8 | μs |
| | | | Max | 300 | 300 | μs |
| t _{WHWH2} | t _{WHWH2} | Sector Erase Operation | Typ | 0.5 | 0.5 | s |
| | | | Max | 10 | 10 | s |
| t _{WHWH3} | t _{WHWH3} | Chip Erase Operation | Typ | 17.5 | 17.5 | s |
| | t _{VCS} | Vcc Setup Time | Min | 50 | 50 | μs |
| | t _{VIDR} | Rise Time to V _{ID} | Min | 500 | 500 | ns |



Table 14. AC CHARACTERISTICS
Write (Erase/Program) Operations
 Alternate CE# Controlled Writes

| Parameter Symbols | | | | Speed Options | | | |
|--------------------|--------------------|---|-------------------------|---------------|------|------|----|
| JEDEC | Standard | Description | | -70 | -90 | Unit | |
| t _{AVAV} | t _{WC} | Write Cycle Time | | Min | 70 | 90 | ns |
| t _{AVEL} | t _{AS} | Address Setup Time | | Min | 0 | 0 | ns |
| t _{ELAX} | t _{AH} | Address Hold Time | | Min | 45 | 45 | ns |
| t _{DVEH} | t _{DS} | Data Setup Time | | Min | 30 | 45 | ns |
| t _{EHDX} | t _{DH} | Data Hold Time | | Min | 0 | 0 | ns |
| | t _{OES} | Output Enable Setup Time | | Min | 0 | 0 | ns |
| | t _{OEH} | Output Enable | Read | 0 | 0 | 0 | ns |
| | | Hold Time | Toggle and Data Polling | 10 | 10 | 10 | ns |
| t _{GHEL} | t _{GHEL} | Read Recovery Time before Write (OE# High to CE# Low) | | Min | 0 | 0 | ns |
| t _{WLEL} | t _{WS} | WE# Setup Time | | Min | 0 | 0 | ns |
| t _{EHWH} | t _{WH} | WE# Hold Time | | Min | 0 | 0 | ns |
| t _{ELEH} | t _{CP} | Write Pulse Width | | Min | 35 | 45 | ns |
| t _{EHEL} | t _{CPH} | Write Pulse Width High | | Min | 20 | 20 | ns |
| t _{WHWH1} | t _{WHWH1} | Programming Operation (Byte AND word mode) | | Typ | 8 | 8 | μs |
| | | | | Max | 300 | 300 | μs |
| t _{WHWH2} | t _{WHWH2} | Sector Erase Operation | | Typ | 0.5 | 0.5 | s |
| | | | | Max | 10 | 10 | s |
| t _{WHWH3} | t _{WHWH3} | Chip Erase Operation | | Typ | 17.5 | 17.5 | s |
| | | | | Max | | | s |
| | t _{VCS} | Vcc Setup Time | | Min | 50 | 50 | μs |
| | t _{VIDR} | Rise Time to V _{ID} | | Min | 500 | 500 | ns |



TABLE 15. ERASE AND PROGRAMMING PERFORMANCE

| Parameter | Limits | | | Comments |
|-------------------------|--------|------|--------|---|
| | Typ | Max | Unit | |
| Sector Erase Time | 0.5 | 10 | sec | Excludes 00H programming prior to erasure |
| Chip Erase Time | 17.5 | | sec | |
| Byte Programming Time | 8 | 300 | µs | Excludes system level overhead |
| Word Programming Time | 8 | 300 | µs | |
| Chip Programming Time | Byte | 16.8 | sec | |
| | Word | 8.4 | | |
| Erase/Program Endurance | 1000K | | cycles | Minimum 1000K cycles |

Table 16. LATCH UP CHARACTERISTICS

| Parameter Description | Min | Max |
|--|---------|------------------|
| Input voltage with respect to V_{ss} on all pins except I/O pins (including A9, Reset and OE#) | -1.0 V | 12.0 V |
| Input voltage with respect to V_{ss} on all I/O Pins | -1.0 V | $V_{cc} + 1.0$ V |
| V_{cc} Current | -100 mA | 100 mA |

Note : These are latch up characteristics and the device should never be put under these conditions. Refer to Absolute Maximum ratings for the actual operating limits.

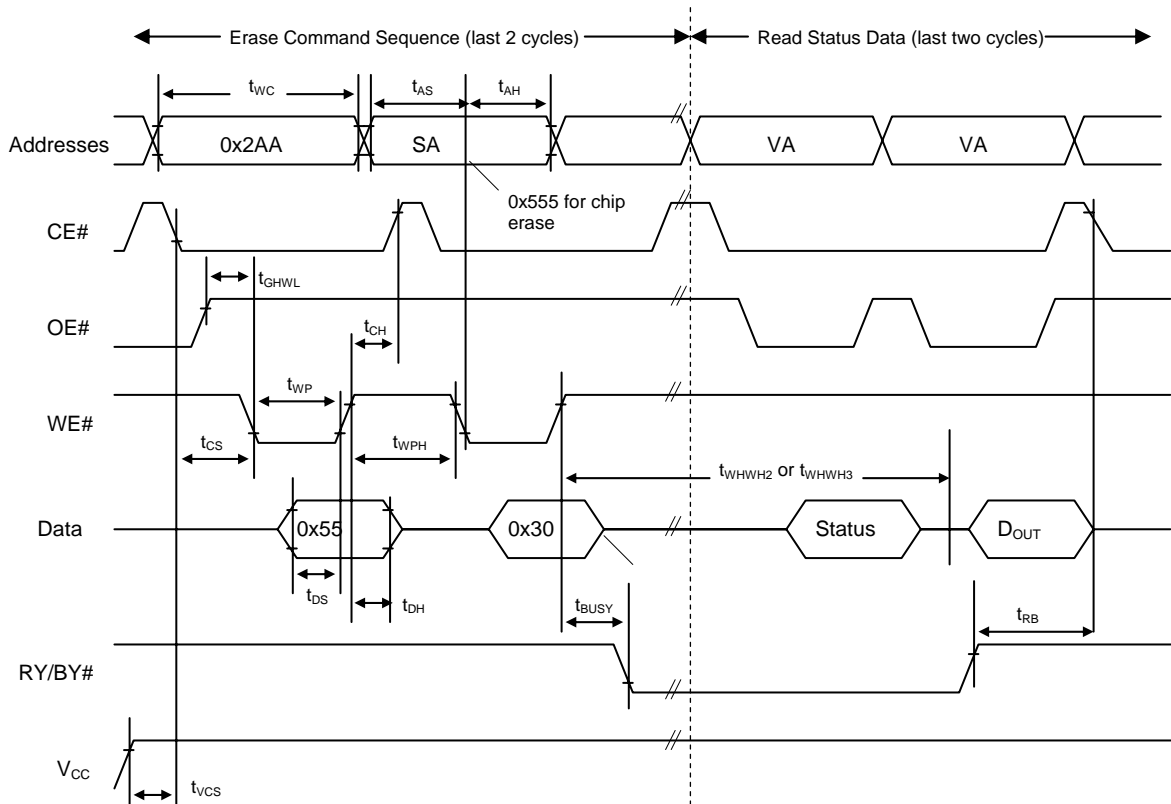
Table 17. 48-PIN TSOP PIN CAPACITANCE @ 25°C, 1.0MHz

| Parameter Symbol | Parameter Description | Test Setup | Typ | Max | Unit |
|------------------|-------------------------|---------------|-----|-----|------|
| C_{IN} | Input Capacitance | $V_{IN} = 0$ | 6 | 7.5 | pF |
| C_{OUT} | Output Capacitance | $V_{OUT} = 0$ | 8.5 | 12 | pF |
| C_{IN2} | Control Pin Capacitance | $V_{IN} = 0$ | 7.5 | 9 | pF |

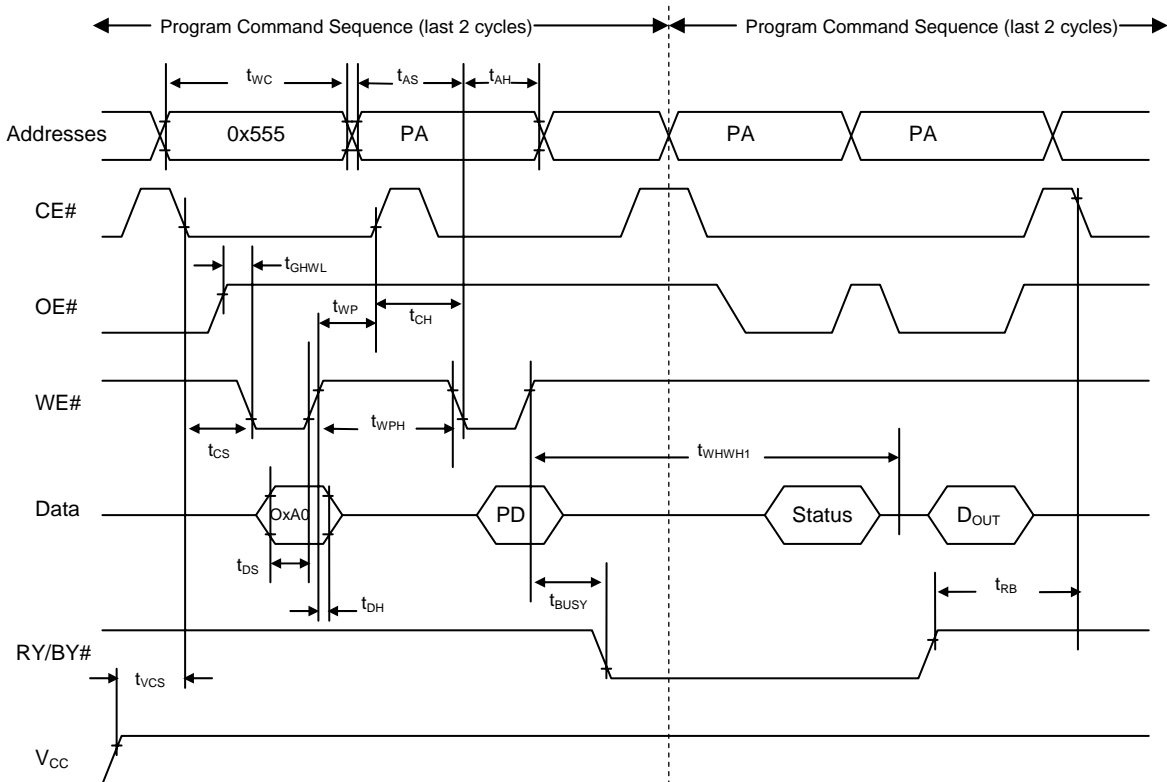
Table 18. DATA RETENTION

| Parameter Description | Test Conditions | Min | Unit |
|-------------------------------------|-----------------|-----|-------|
| Minimum Pattern Data Retention Time | 150°C | 10 | Years |
| | 125°C | 20 | Years |

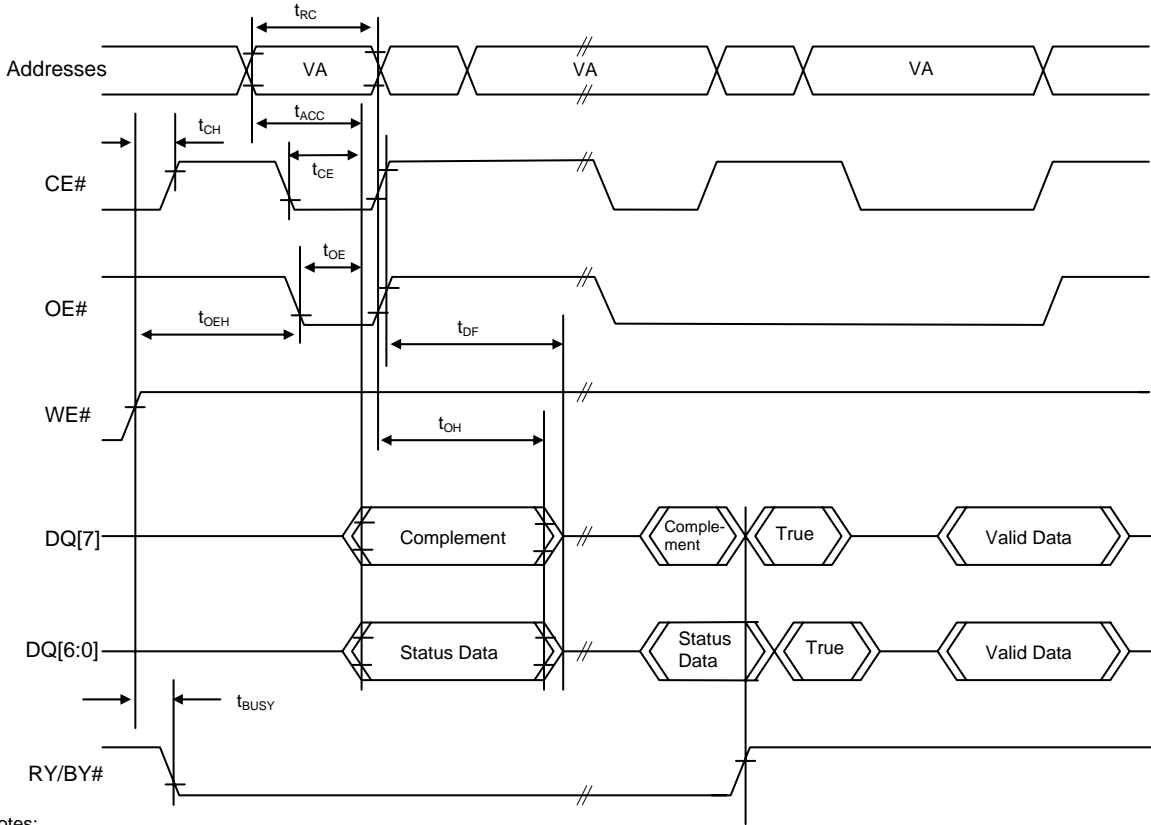
AC CHARACTERISTICS

Figure 6. AC Waveforms for Chip/Sector Erase Operations Timings

Notes:

1. SA=Sector Address (for sector erase), VA=Valid Address for reading status, D_{out}=true data at read address.
2. V_{cc} shown only to illustrate t_{vcs} measurement references. It cannot occur as shown during a valid command sequence.

Figure 7. Program Operation Timings

Notes:

1. PA=Program Address, PD=Program Data, D_{OUT} is the true data at the program address.
2. V_{CC} shown in order to illustrate t_{VCS} measurement references. It cannot occur as shown during a valid command sequence.

Figure 8. AC Waveforms for /DATA Polling During Embedded Algorithm Operations


Notes:

1. VA=Valid Address for reading Data# Polling status data
2. This diagram shows the first status cycle after the command sequence, the last status read cycle and the array data read cycle.

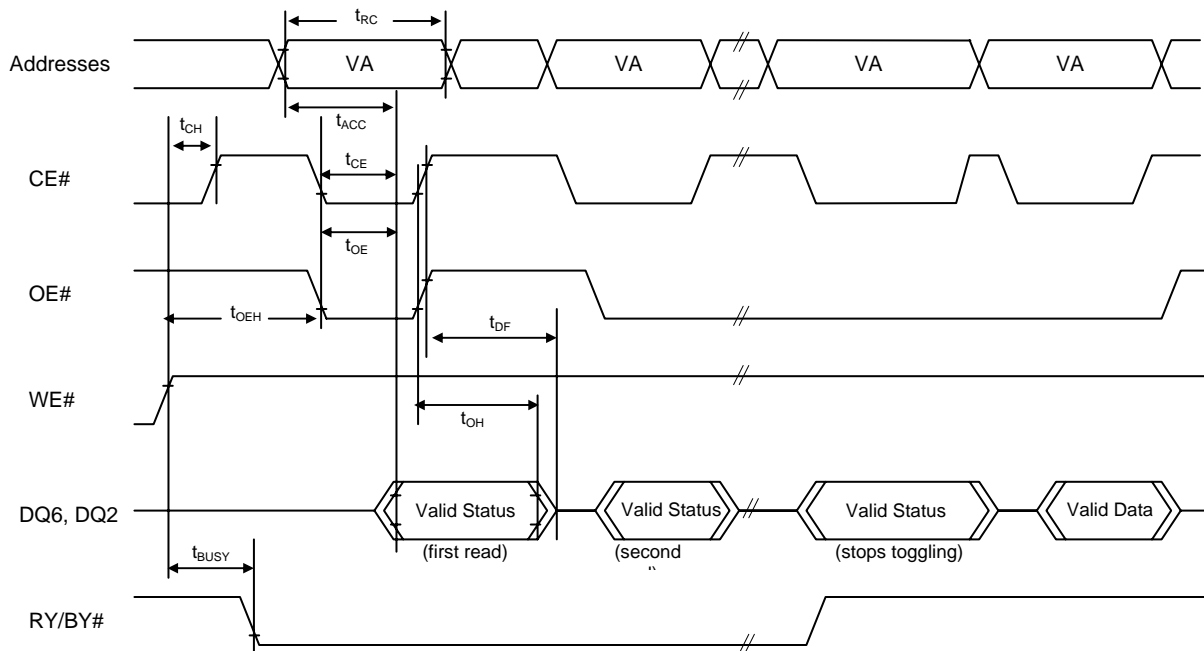
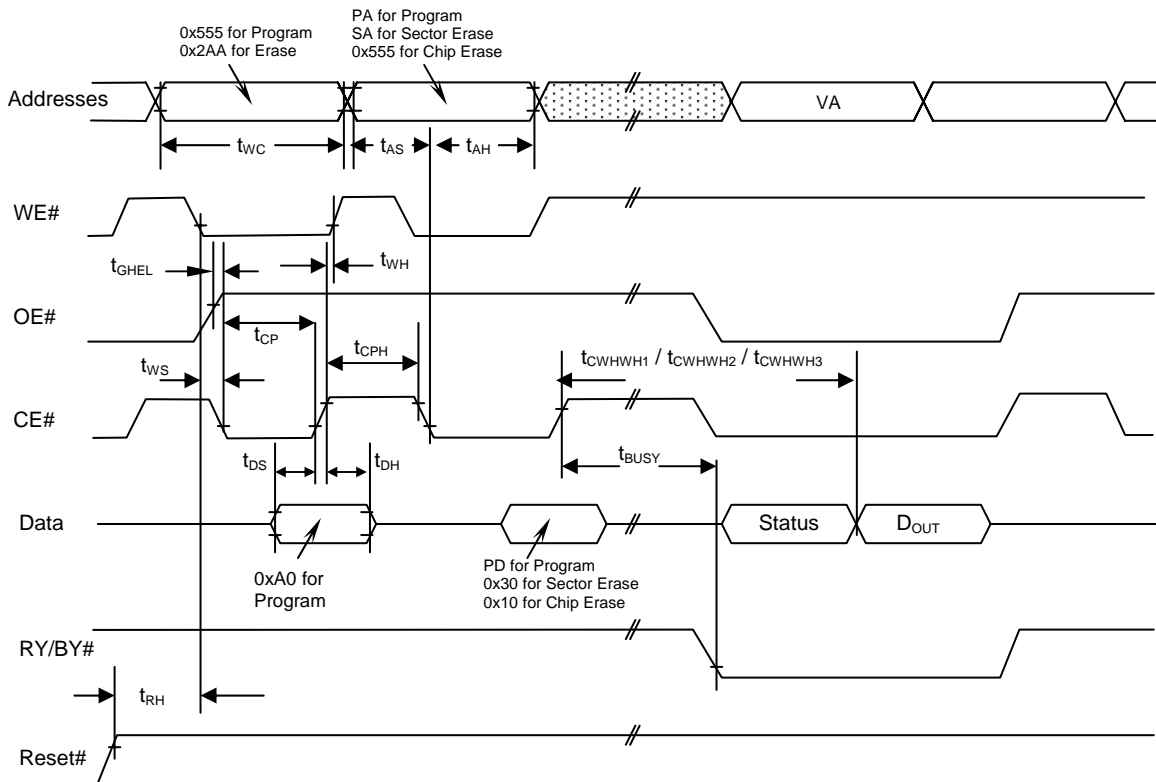
Figure 9. AC Waveforms for Toggle Bit During Embedded Algorithm Operations


Figure 10. Alternate CE# Controlled Write Operation Timings

Notes:

PA = address of the memory location to be programmed.

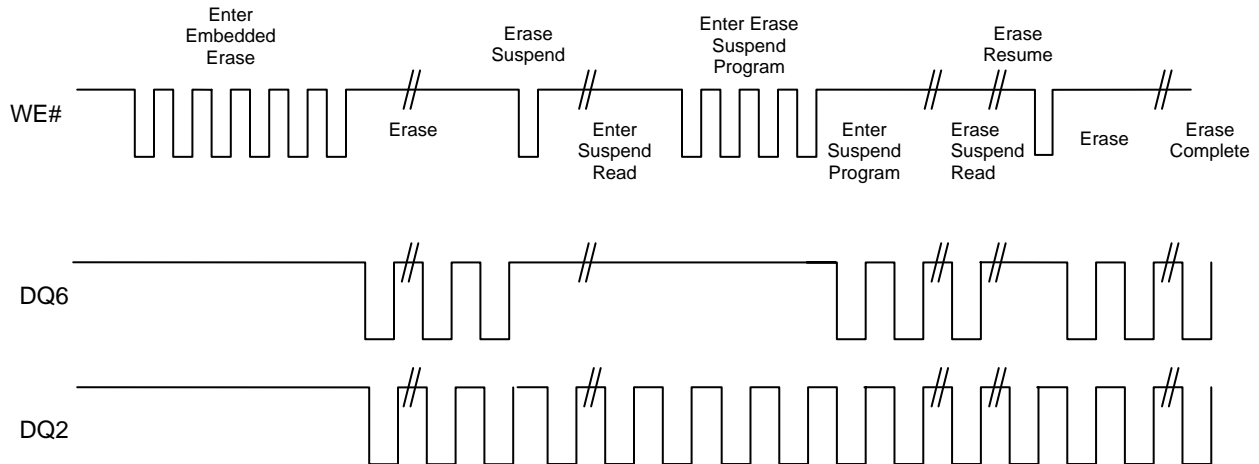
PD = data to be programmed at byte address.

VA = Valid Address for reading program or erase status

D_{out} = array data read at VA

Shown above are the last two cycles of the program or erase command sequence and the last status read cycle

Reset# shown to illustrate t_{RH} measurement references. It cannot occur as shown during a valid command sequence.

Figure 11. DQ2 vs. DQ6




Temporary Sector Unprotect

| Parameter Std | Description | | Speed Option | | Unit |
|---------------|--|-----|--------------|-----|---------|
| | | | -70 | -90 | |
| t_{VIDR} | V_{ID} Rise and Fall Time | Min | 500 | | Ns |
| t_{RSP} | RESET# Setup Time for Temporary Sector Unprotect | Min | 4 | | μ S |

Figure 12. Temporary Sector Unprotect Timing Diagram

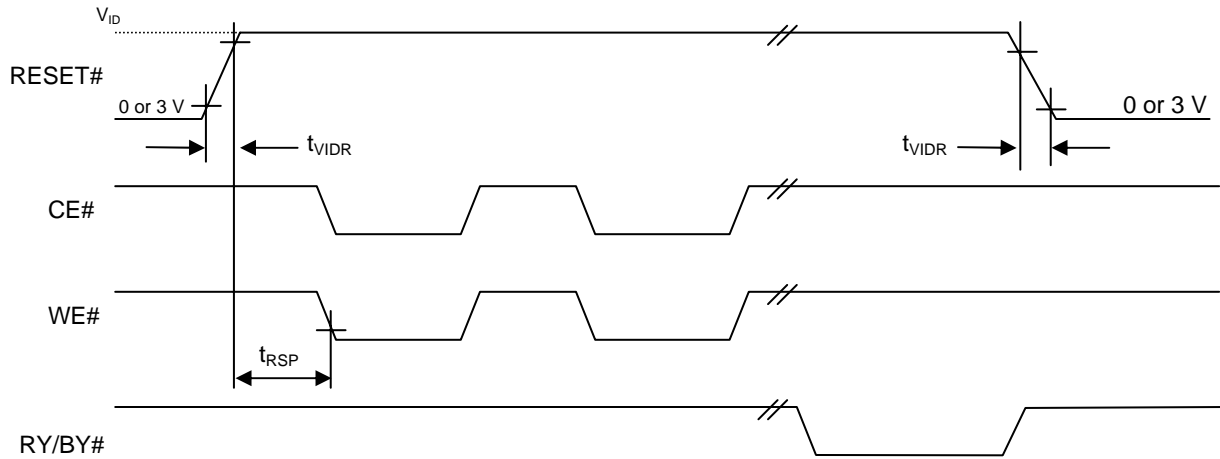
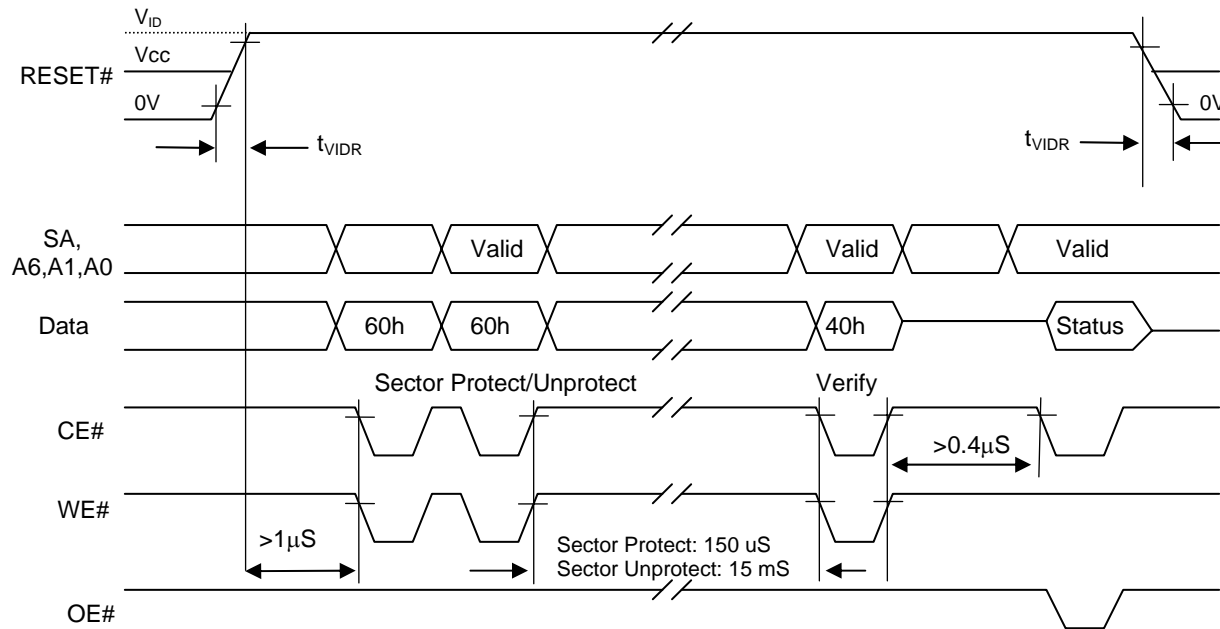
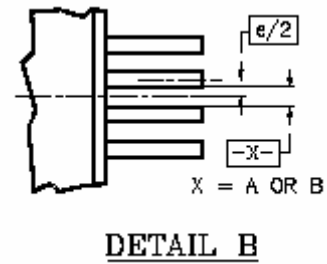
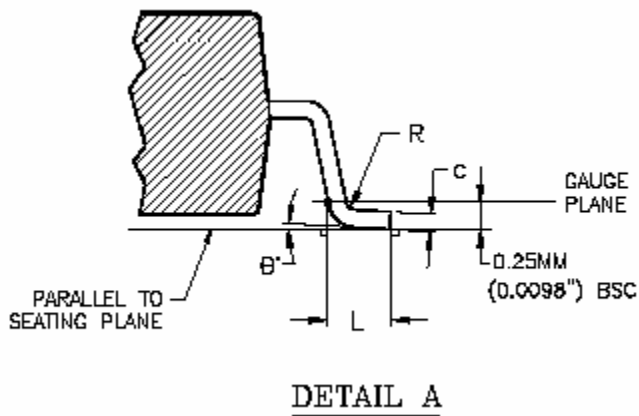
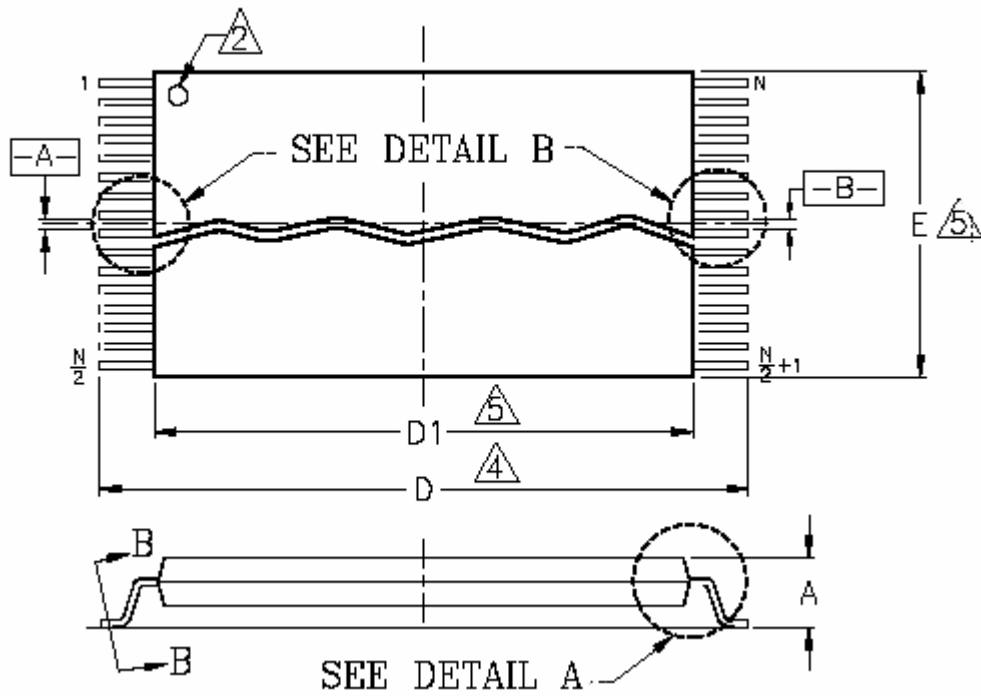


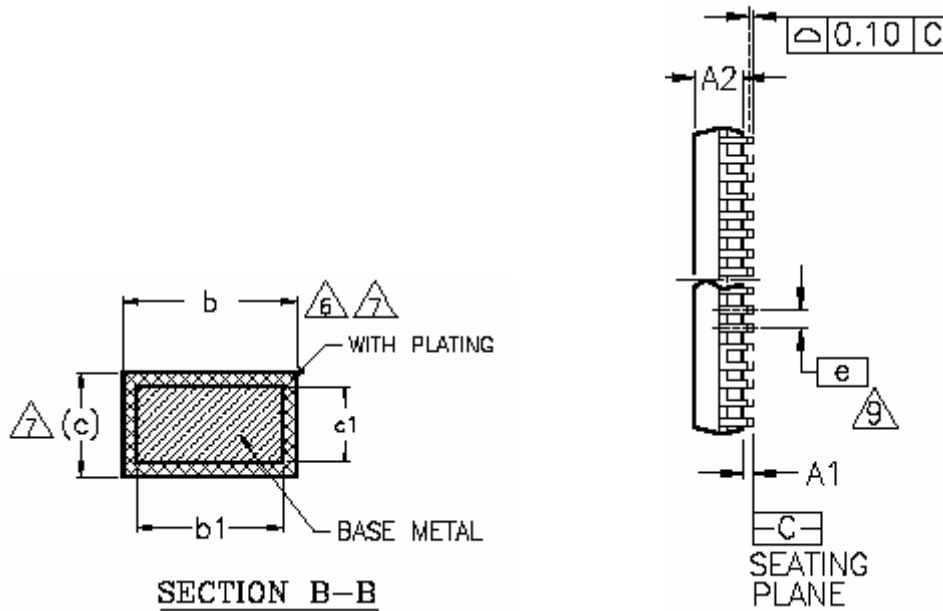
Figure 13. Sector Protect/Unprotect Timing Diagram



Notes:

Use standard microprocessor timings for this device for read and write cycles.
For Sector Protect, use A6=0, A1=1, A0=0. For Sector Unprotect, use A6=1, A1=1, A0=0.

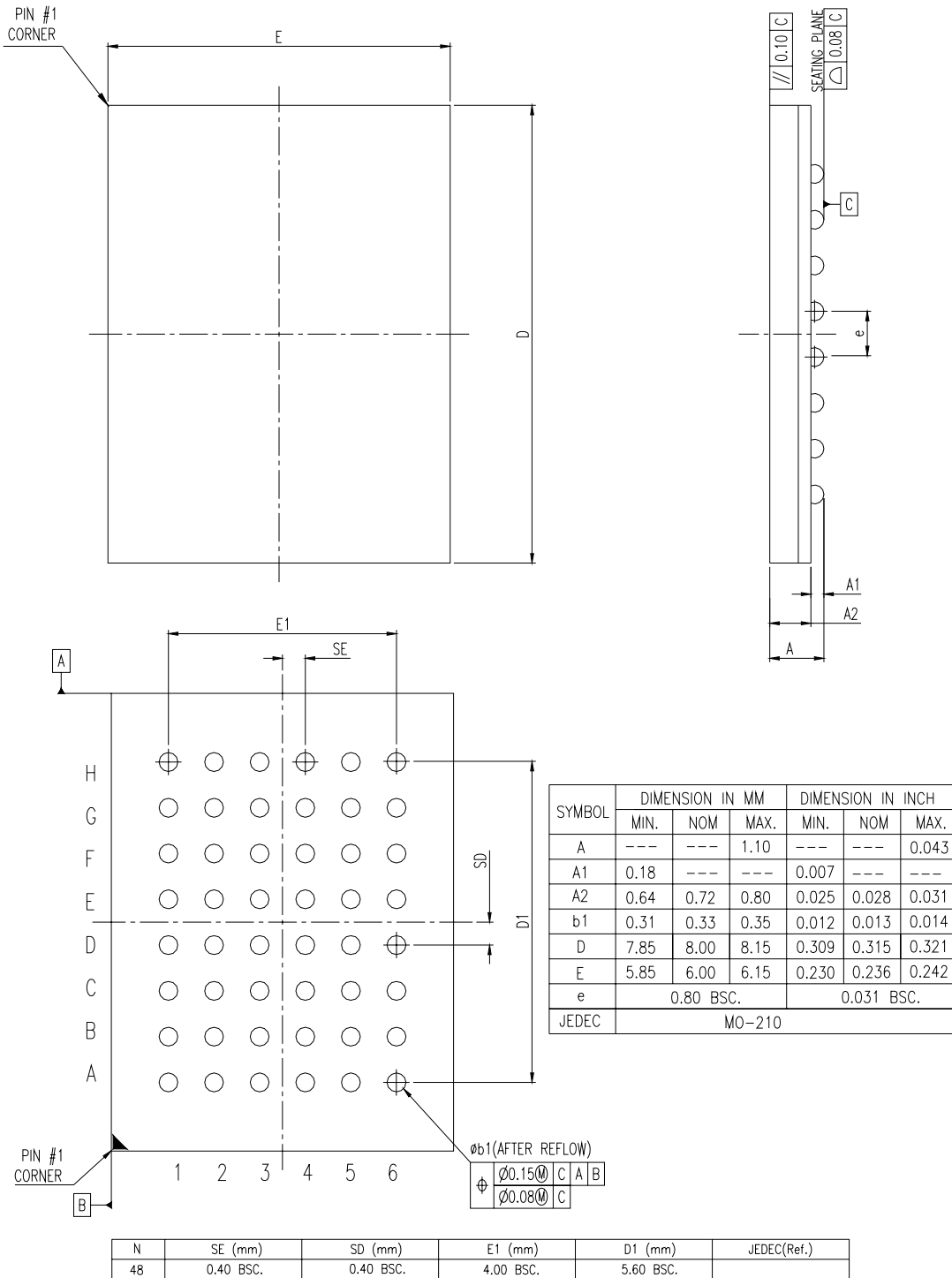
FIGURE 14. TSOP 12mm x 20mm
STANDARD PIN OUT (TOP VIEW)




| Package | TS 48 | | |
|----------|---------------|-------|-------|
| Jedec | MO-142 (B) DD | | |
| Symbol | MIN | NOM | MAX |
| A | — | — | 1.20 |
| A1 | 0.05 | — | 0.15 |
| A2 | 0.95 | 1.00 | 1.05 |
| b1 | 0.17 | 0.20 | 0.23 |
| b | 0.17 | 0.22 | 0.27 |
| c1 | 0.10 | — | 0.16 |
| c | 0.10 | — | 0.21 |
| D | 19.80 | 20.00 | 20.20 |
| D1 | 18.30 | 18.40 | 18.50 |
| E | 11.90 | 12.00 | 12.10 |
| e | 0.50 BASIC | | |
| L | 0.50 | 0.60 | 0.70 |
| θ | 0° | 3° | 5° |
| R | 0.08 | — | 0.20 |
| N | 48 | | |

NOTES:

1. CONTROLLING DIMENSIONS ARE IN MILLIMETERS (MM). (DIMENSIONING AND TOLERANCING CONFORMS TO ANSI Y14.5M-1982)
2. PIN 1 IDENTIFIER FOR STANDARD PIN OUT (DIE UP).
3. PIN 1 IDENTIFIER FOR REVERSE PIN OUT (DIE DOWN): INK OR LASER MARK.
4. TO BE DETERMINED AT THE SEATING PLANE $\triangle C$. THE SEATING PLANE IS DEFINED AS THE PLANE OF CONTACT THAT IS MADE WHEN THE PACKAGE LEADS ARE ALLOWED TO REST FREELY ON A FLAT HORIZONTAL SURFACE.
5. DIMENSIONS D1 AND E DO NOT INCLUDE MOLD PROTRUSION. ALLOWABLE MOLD PROTRUSION IS 0.15mm (0.0059") PER SIDE.
6. DIMENSION b DOES NOT INCLUDE DAMBAR PROTRUSION. ALLOWABLE DAMBAR PROTRUSION SHALL BE 0.08mm (0.0031") TOTAL IN EXCESS OF b DIMENSION AT MAX. MATERIAL CONDITION. MINIMUM SPACE BETWEEN PROTRUSION AND AN ADJACENT LEAD TO BE 0.07mm (0.0028").
7. THESE DIMENSIONS APPLY TO THE FLAT SECTION OF THE LEAD BETWEEN 0.10mm (0.0039") AND 0.25mm (0.0098") FROM THE LEAD TIP.
8. LEAD COPLANARITY SHALL BE WITHIN 0.10mm (0.004") AS MEASURED FROM THE SEATING PLANE.
9. DIMENSION "e" IS MEASURED AT THE CENTERLINE OF THE LEADS.

FIGURE 15. 48TFBGA package outline




ABSOLUTE MAXIMUM RATINGS

| Parameter | | Value | Unit |
|---|------------------------------|------------------------------|------|
| Storage Temperature | | -65 to +125 | °C |
| Plastic Packages | | -65 to +125 | °C |
| Ambient Temperature With Power Applied | | -55 to +125 | °C |
| Output Short Circuit Current ¹ | | 200 | MA |
| Voltage with Respect to Ground | A9, OE#, Reset# ² | -0.5 to +11.5 | V |
| | All other pins ³ | -0.5 to V _{cc} +0.5 | V |
| | V _{cc} | -0.5 to +4.0 | V |

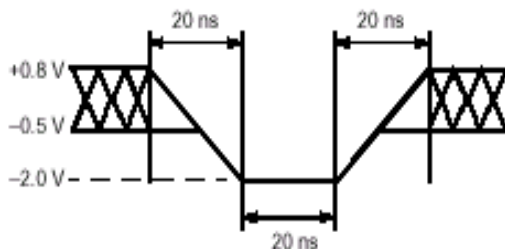
Notes:

1. No more than one output shorted at a time. Duration of the short circuit should not be greater than one second.
2. Minimum DC input voltage on A9, OE#, RESET# pins is -0.5V. During voltage transitions, A9, OE#, RESET# pins may undershoot V_{ss} to -1.0V for periods of up to 50ns and to -2.0V for periods of up to 20ns. See figure below. Maximum DC input voltage on A9, OE#, and RESET# is 11.5V which may overshoot to 12.5V for periods up to 20ns.
3. Minimum DC voltage on input or I/O pins is -0.5 V. During voltage transitions, inputs may undershoot V_{ss} to -1.0V for periods of up to 50ns and to -2.0 V for periods of up to 20ns. See figure below. Maximum DC voltage on output and I/O pins is V_{cc} + 0.5 V. During voltage transitions, outputs may overshoot to V_{cc} + 1.5 V for periods up to 20ns. See figure below.
4. Stresses above the values so mentioned above may cause permanent damage to the device. These values are for a stress rating only and do not imply that the device should be operated at conditions up to or above these values. Exposure of the device to the maximum rating values for extended periods of time may adversely affect the device reliability.

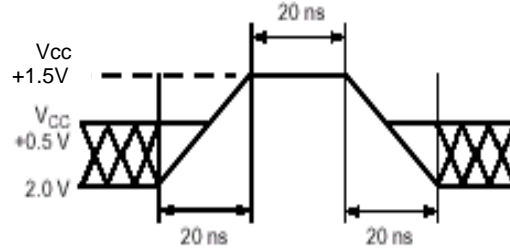
RECOMMENDED OPERATING RANGES¹

| Parameter | Value | Unit |
|---|--------------------------------------|------|
| Ambient Operating Temperature Commercial Devices Industrial Devices | 0 to 70 -40 to 85 | °C |
| Operating Supply Voltage V _{cc} | Regulated Voltage Range: 3.0-3.6V | V |
| | Full Voltage Range: 2.7 to 3.6V | |

1. Recommended Operating Ranges define those limits between which the functionality of the device is guaranteed.



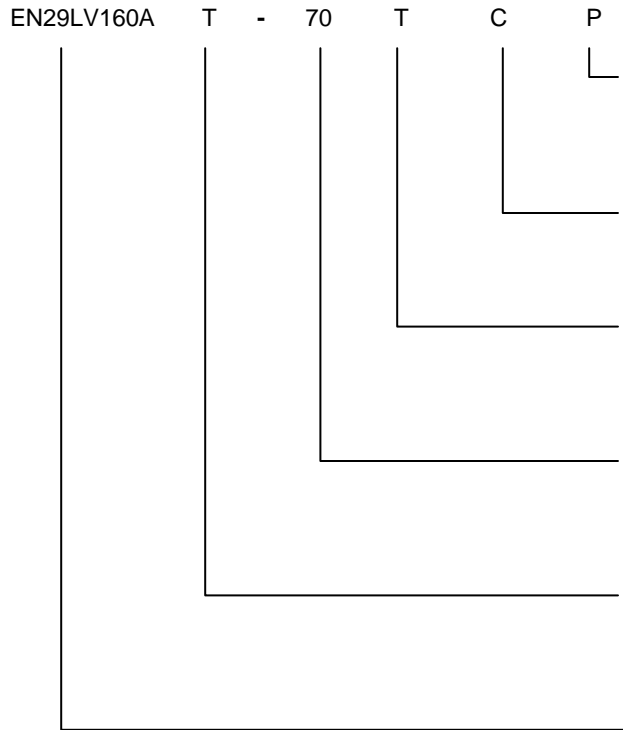
Maximum Negative Overshoot Waveform



Maximum Positive Overshoot Waveform



ORDERING INFORMATION



PACKAGING CONTENT

(Blank) = Conventional
P = Pb Free

TEMPERATURE RANGE

C = Commercial (0°C to +70°C)
I = Industrial (-40°C to +85°C)

PACKAGE

T = 48-pin TSOP
B = 48-Ball Fine Pitch Ball Grid Array (FBGA)
0.80mm pitch, 6mm x 8mm package

SPEED

70 = 70ns
90 = 90ns

BOOT CODE SECTOR ARCHITECTURE

T = Top boot Sector
B = Bottom boot Sector

BASE PART NUMBER

EN = Eon Silicon Solution Inc.
29LV = FLASH, 3V Read Program Erase
160 = 16 Megabit (2M x 8 / 1M x 16)
A = version identifier



Revisions List

| Revision No | Description | Date |
|-------------|---|------------|
| A | Preliminary draft | 2004/10/01 |
| B | Initial Release | 2004/11/26 |
| C | 1. Update Eon logo. 2. Correct a typo on page 39, dimension E and N corrected. | 2005/01/07 |